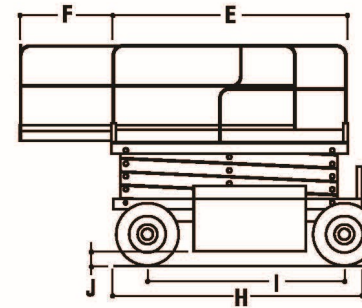
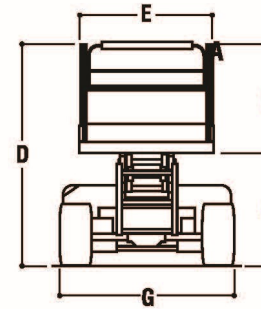
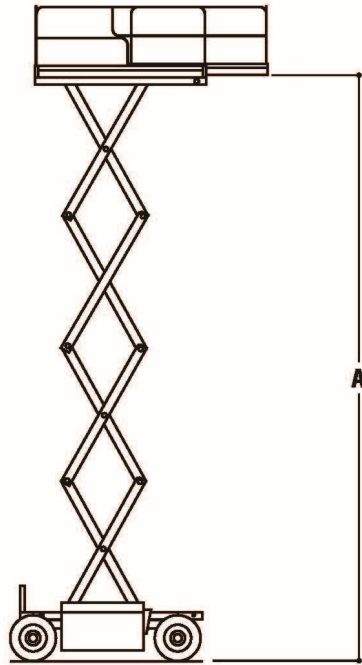


Dimensions

All dimensions are approximate.



A. Platform Height Elevated	26 ft (8 m)
B. Platform Height Lowered	49.5 in. (1.25 m)
C. Platform Railing Height	3 ft 7.5 in. (1.1 m)
D. Overall Height	7.75 ft (2.4 m)
E. Platform Size	65 x 102 in. (1.65 x 2.59 m)
F. Platform Extension	4 ft (1.2 m)

G. Overall Width	5.75 ft (1.8 m)
H. Overall Length (no outriggers)	8.75 ft (2.7 m)
I. Wheelbase	6.6 ft (2 m)
J. Ground Clearance	8 in. (20.3 cm)