

LGMG

SR1623E

ELECTRIC RT SCISSOR LIFT

- The large platform with dual-extension decks provides a wide working range.
- Battery powered, zero emission and quiet drive mean this machine is environmentally friendly.
- Integrated with four-wheel-drive system with axles that offers strong power and smooth transmission.
- Hydraulic outriggers deliver a better solution on uneven ground.
- Intelligent self-diagnostic system for quick troubleshooting.



LGMG ELECTRIC RT SCISSOR LIFT

SPECIFICATIONS

MODELS	SR1623E
Measurements	Metric
Work Height Max.	17.9m
A Platform Height - Raised	15.9m
B Platform Length	3.98/4.81m
C Platform Width	1.83m
D Overall Length (with ladder)	4.9m
E Overall Width	2.3m
F Overall Height - Rails up	3.23m
Overall Height - Rails down	2.53m
G Extension Deck	1.45/1.14m
H Wheelbase	2.85m
Ground Clearance-Center	0.26m

PRODUCTIVITY

Max. Platform Occupancy	4(in) / 4(out)
Platform Capacity	680kg
Platform Capacity - Extension	230kg
Drive Height	8.5m
Gradeability - Stowed	40%
Min. Turning Radius	6.57m
Raise/Lower Speed	70s / 50s
Brakes	Four-wheel Brake
Drive Mode	4x4
Tires Type	Solid Non-marking
Tires Size	835x290mm

POWER

Power Source	80V DC 228Ah
--------------	--------------

HYDRAULIC SYSTEM

Hydraulic Oil Volume	80L
----------------------	-----

WEIGHT

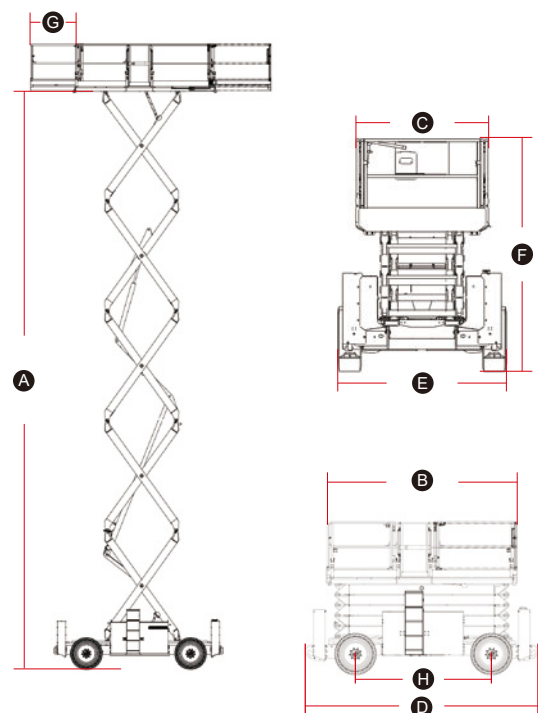
Machine Weight with Outriggers (CE/ANSI)	8200kg
--	--------

STANDARD FEATURES

Li-battery	Tilt alarm with lift cut-out
Proportional control	Overload sensing system
Foldable guardrail	Self-lock entry gate
Emergency stop device	All motions alarm
Manual brake release	Intelligent diagnostic system
Emergency descent	Auto-leveling outriggers
Oscillating axle	Solid non-marking tires
Descent alarm with flashing beacon	

OPTIONAL

Telematics	Solid tires
AC power to platform	Foam-filled non-marking tires
Biodegradable hydraulic oil Foam-filled tires	



Please contact LGMG or a local dealer for more details.

LGMG reserves the right to change technical data without prior notice. All photos and pictures in this brochure are for promotional purposes only.

LINGONG HEAVY MACHINERY CO., LTD.

Address: No. 2676, Kejia Road, Jinan, Shandong, China
 Email: sales@lmgm.com.cn Tel: +86 531 6787 9283

LGMG Europe B.V.

Address: Donker Duyvisweg 301, 3316 BL Dordrecht, The Netherlands
 Email: sales@lmgmeurope.com Tel: +31 850 642 777

LGMG North America Inc.

Address: 4105 Live Oak Drive, Suite 100, The Colony, Texas 75056 United States
 Email: sales@lmgmna.com Tel: +1 833 288 5464

www.lmgmlifts.com



LGMG
 RELIABILITY IN ACTION