

TECHNICAL DATA SHEET

MRT 2150 2550 PRIVILEGE +

Manitou Telescopic



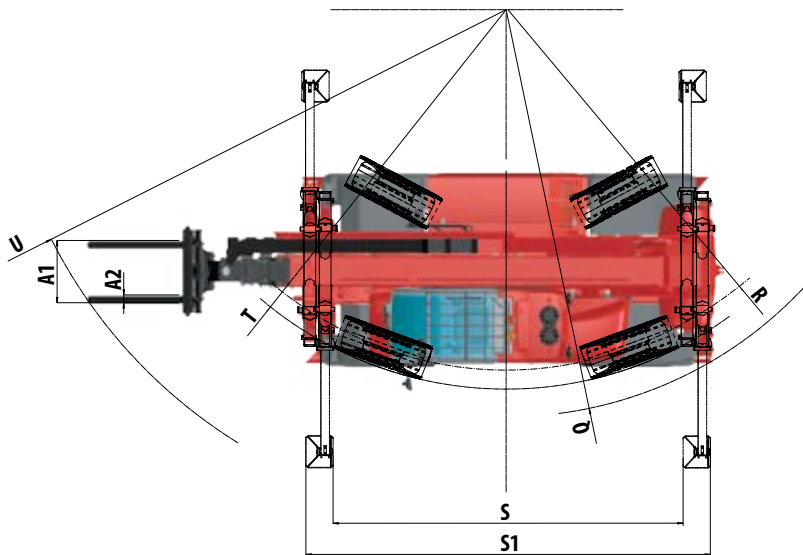
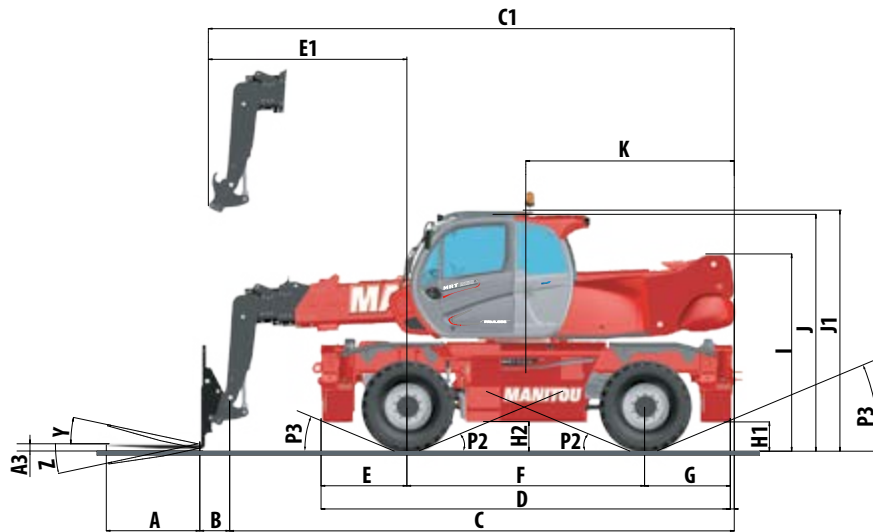
 **MANITOU**
HANDLING YOUR WORLD

MRT 2150 2550 PRIVILEGE +



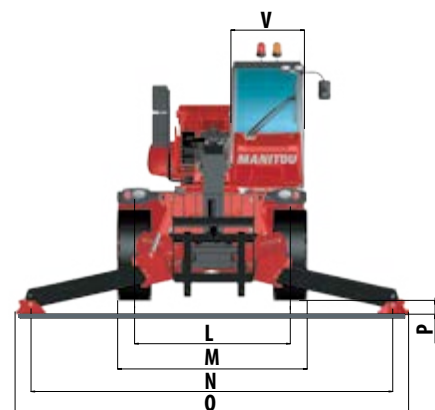
	MRT 2150 Privilege +	MRT 2550 Privilege +
Lifting		
Max. capacity with forks at 500 mm LC	4999 kg	
Max. lifting height	20.90 m	24.70 m
Max. outreach	17.90 m	21.40 m
Tyres	445 / 65 R22.5	
Stabilizers	duplex telescopic simultaneously and individually controlled	
Full continuous rotation	turret mounted on a double slew ring with internal gearing / slewing system with negative brake	
Frame levelling / oscillating axle	on front axles +/- 8° oscillating rear axle with automatic hydraulic lock out on rotation (> +/- 7.5°) and boom height (> 55°)	
Braking		
Service brake	oil bath multiple disc brakes hydraulically assisted on both axles	
Parking brake	automatic negative parking brake	
Engine	MERCEDES - STAGE 4 - FINAL TIER 4	
Type	OM 934 E4-5	
Displacement	4 cylinders - 5.13 liters	
Power	156 HP/115 kW	
Max torque	675 Nm - from 1200 to 1500 rpm	
Gradeability	40%	
Batteries	24 V: 2x 12V - 120 Ah - 850 A	
Transmission	hydrostatic	
Drive wheels	4 wheel drive	
Steering mode	4 wheel steer - 3 steering modes	
Max. travel speed <small>(may vary according to applicable regulations)</small>	40 kph	
Controls	2 multi-function joysticks	
Hydraulics		
Hydraulic pump	115 l/min – 275 bar gear type	
Capacities		
Hydraulic oil	225 l	
Fuel	305 l	
Urea (AdBlue type *)	57 l	
Unladen weight (with forks)	17930 kg	18900 kg
Dimensions		
Overall width	2.49 m	
Overall width <small>(stabilizers extended)</small>	5.55 m	
Overall height	3.05 m	
Overall length to carriage	6.87 m	7.84 m
Turning radius <small>(over tyres)</small>	4.88 m	
Ground clearance	0.35 m	
Standard forks <small>(length x width x thickness)</small>	1200 x 150 x 50 mm	
Safety	load state monitoring system (crane norm) attachement recognition system (E-Reco) cab compliant with ROPS / FOPS level II standard	
Noise and vibration		
Noise at driving position (LpA)	79.7 dB	
Environmental noise (LwA)	108 dB	
Vibration to whole hand/arm	<2.50 m/s ²	

MRT 2150 2550 PRIVILEGE+

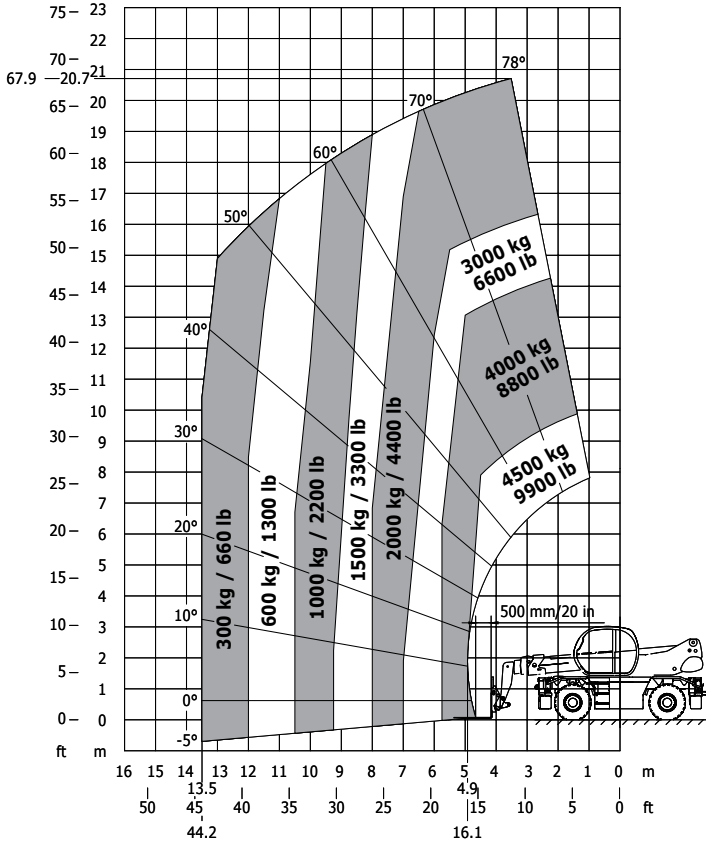


mm	MRT 2150/2550	
A	1200	
A1	150	
B	385	
C	6485	7450
C1	6760	7745
D	5350	
E	1150	
E1	2560	3045
F	3050	
G	1150	
H1	350	
H2	350	
I	2630	
J	3000	
J1	3050	
K	2675	3175

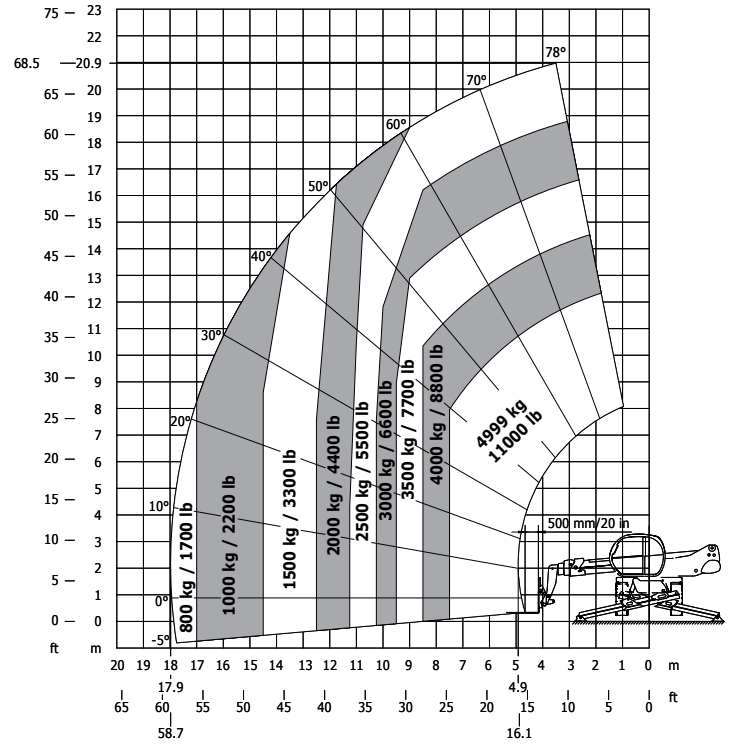
mm	MRT 2150 /2550	
L	2050	
M	2490	
N	5140	
O	5555	
P	230	
P2	15°	
P3	22°	
Q	5235	
R	4650	
S	4500	
S1	5190	
T	4880	
U	6550	6915
V	950	
Y	12°	
Z	105°	



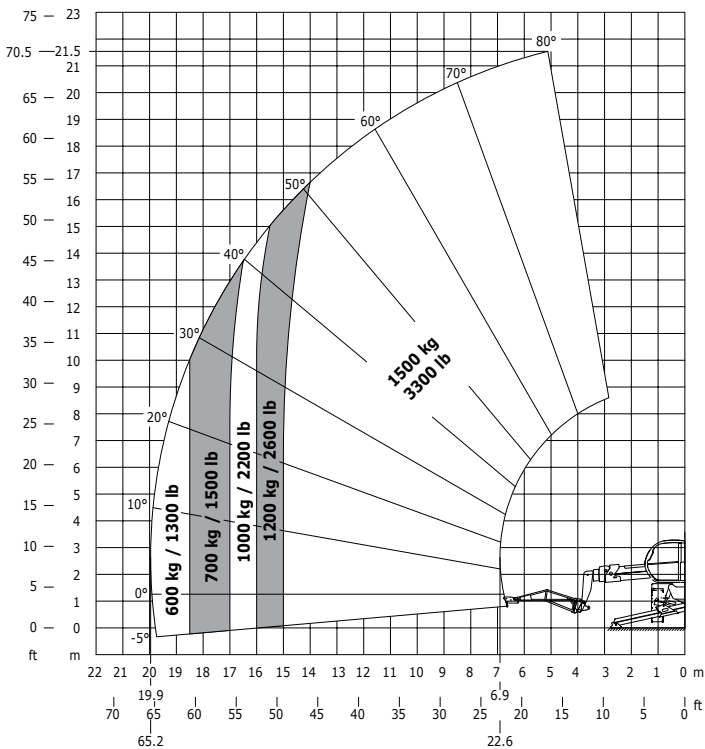
**Frontal on wheels
with forks**



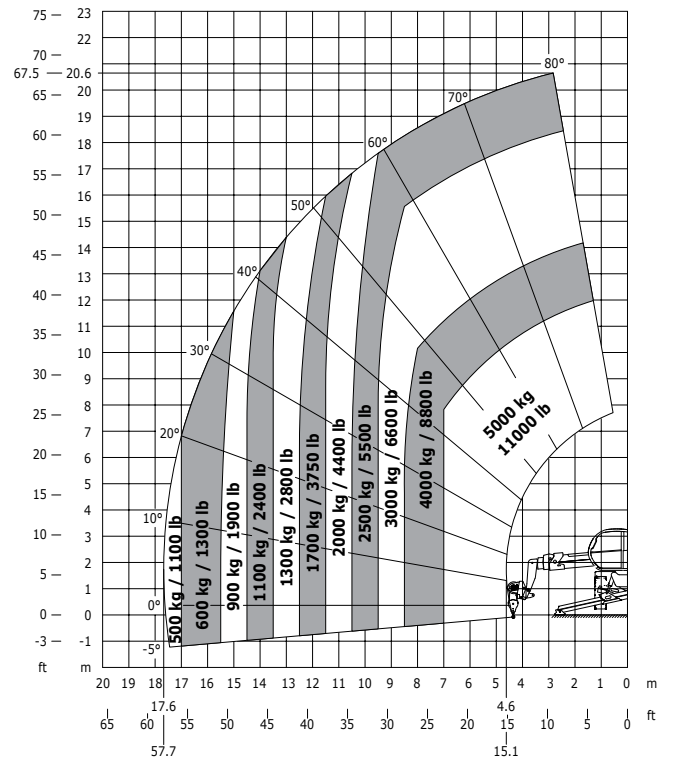
**Rotation on extended stabilizers
with forks**



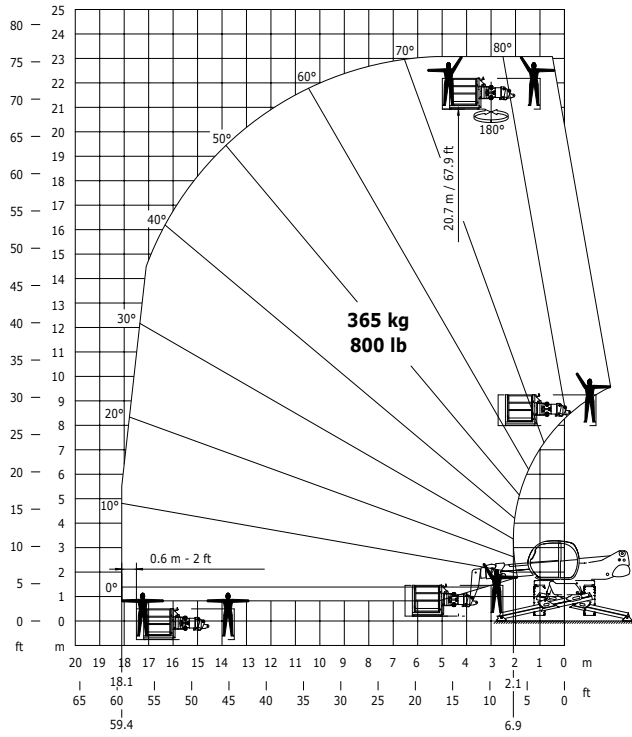
**Rotation on extended stabilizers
with 1500 jib**



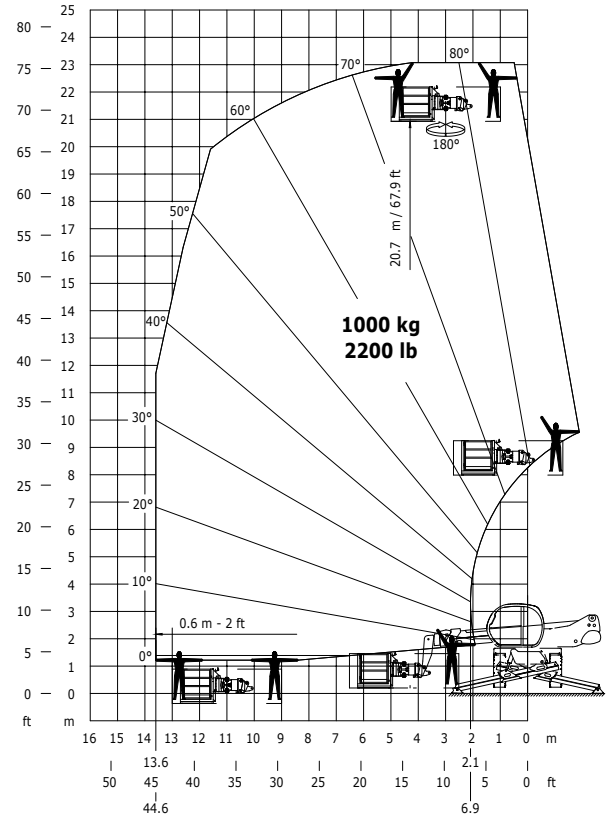
**Rotation on extended stabilizers
with 5000 kg winch**



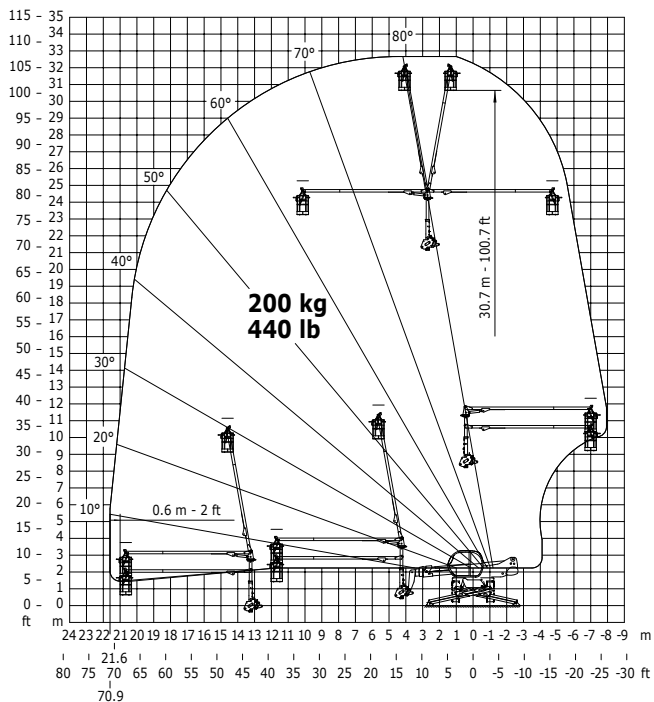
**Rotation on extended stabilizers
with 365 kg platform**



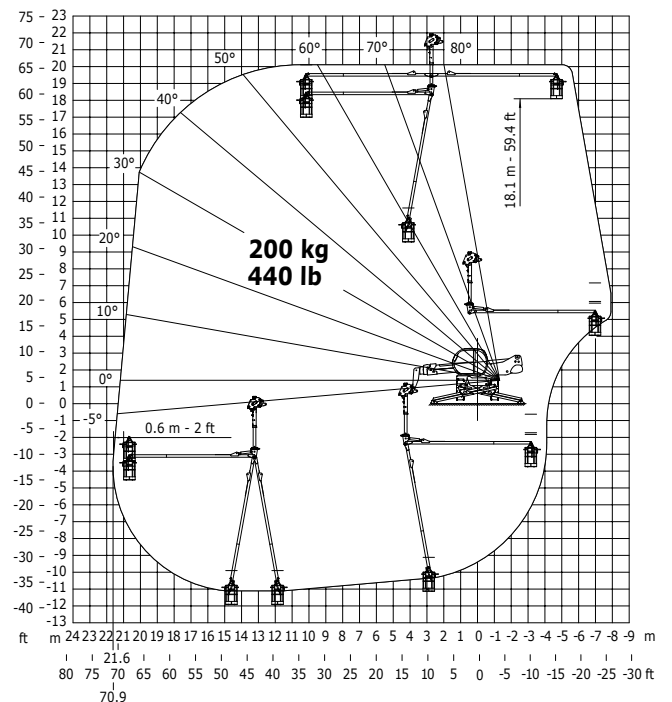
**Rotation on extended stabilizers
with 1000 kg platform**



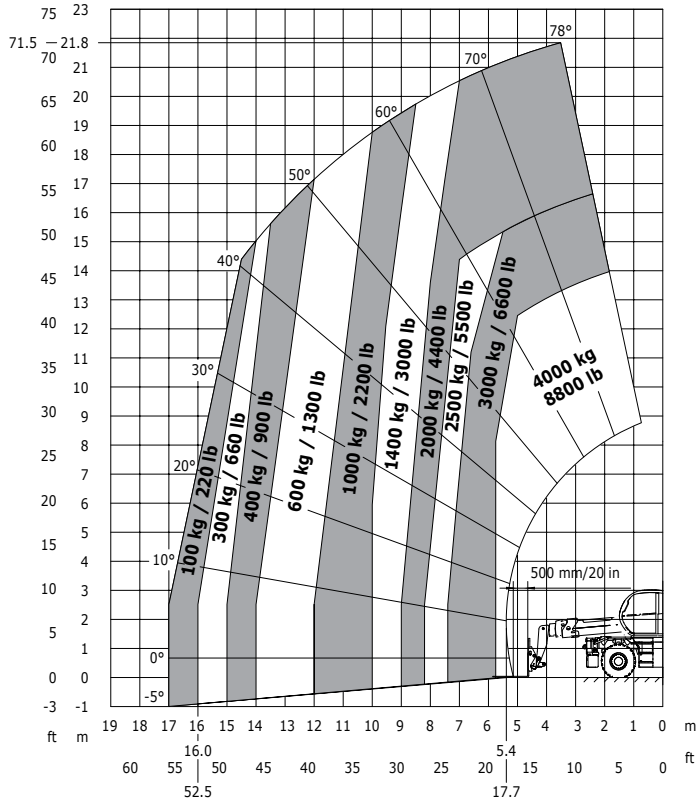
**Rotation on extended stabilizers
3D positive**



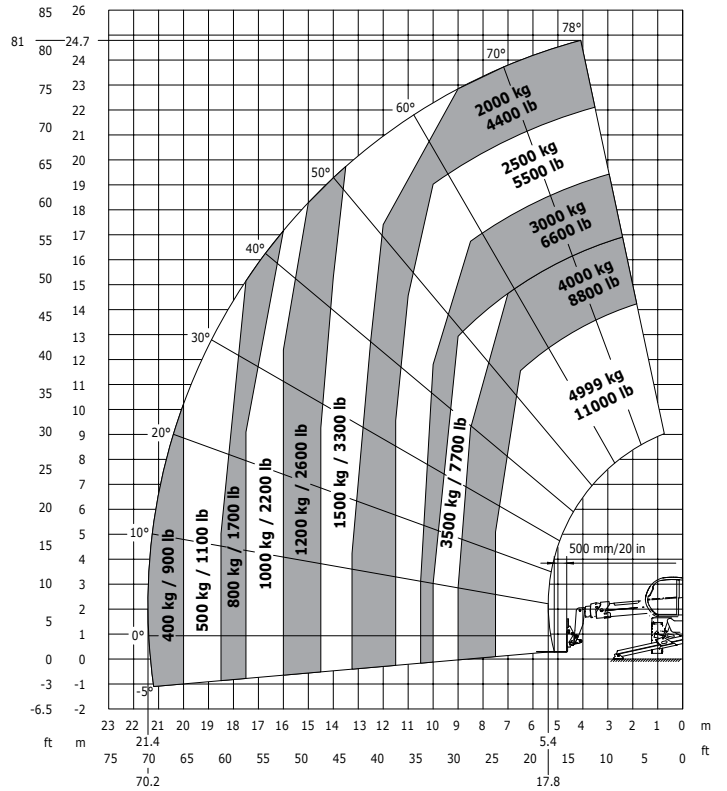
**Rotation on extended stabilizers
3D negative**



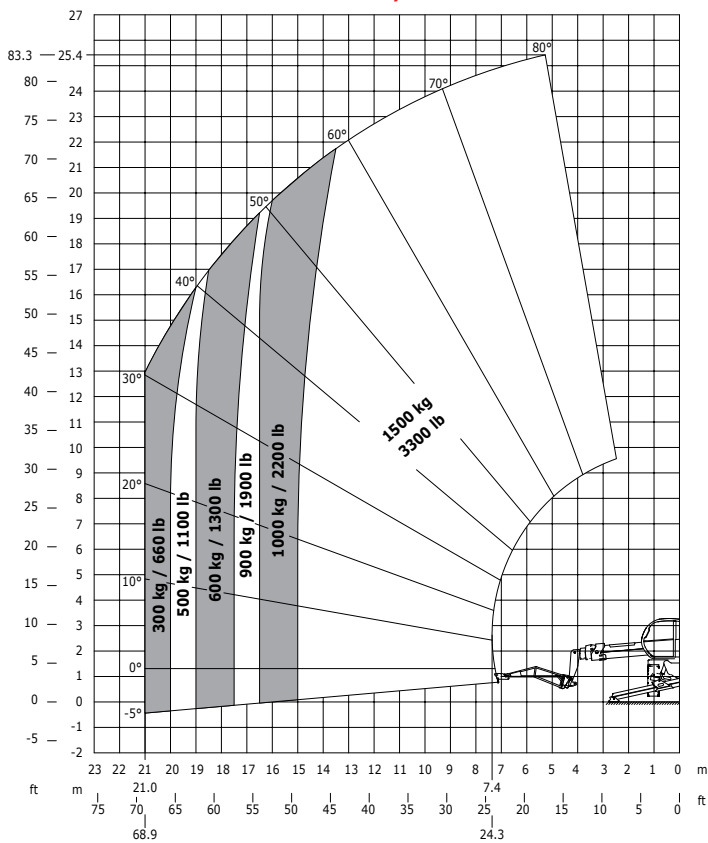
**Frontal on wheels
with forks**



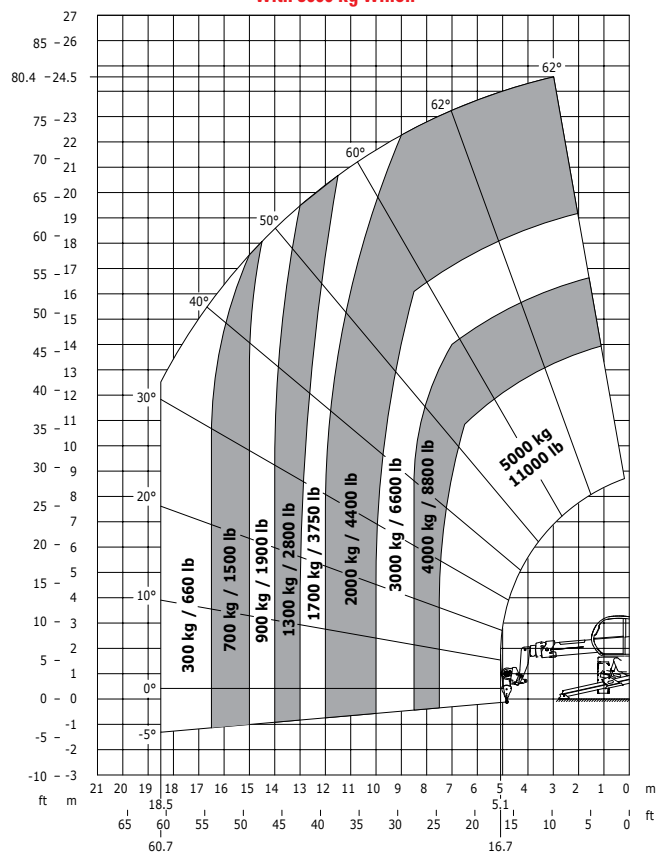
**Rotation on extended stabilizers
with forks**



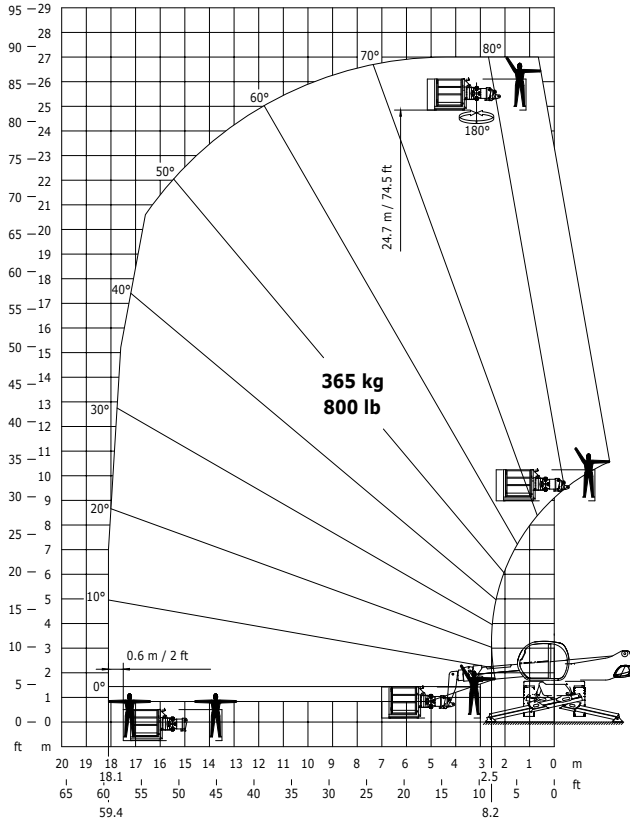
**Rotation on extended stabilizers
with 1500 jib**



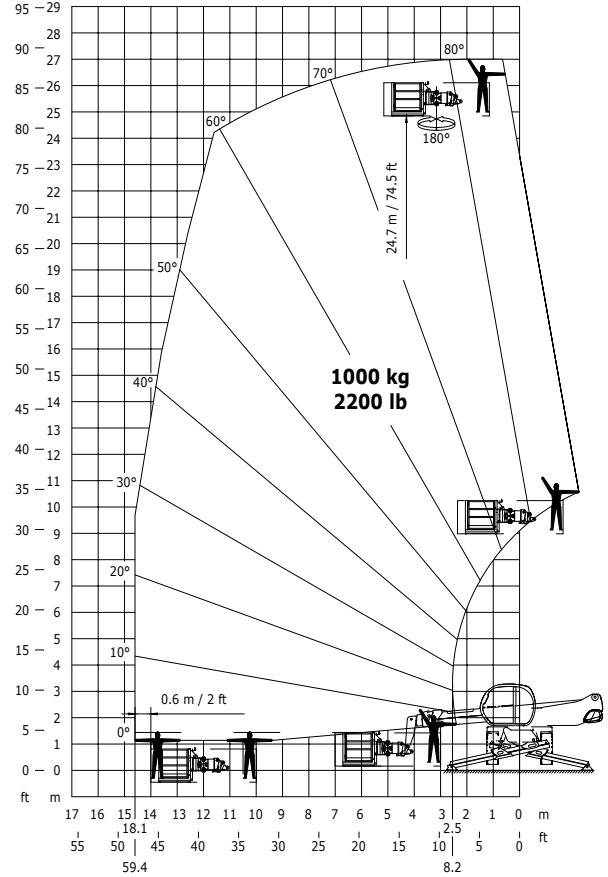
**Rotation on extended stabilizers
with 5000 kg winch**



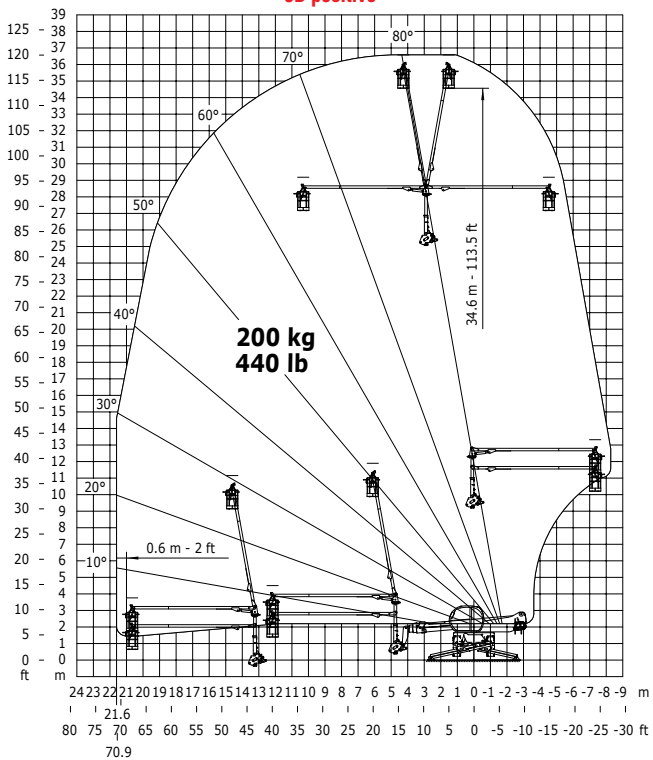
Rotation on extended stabilizers
with 365 kg platform



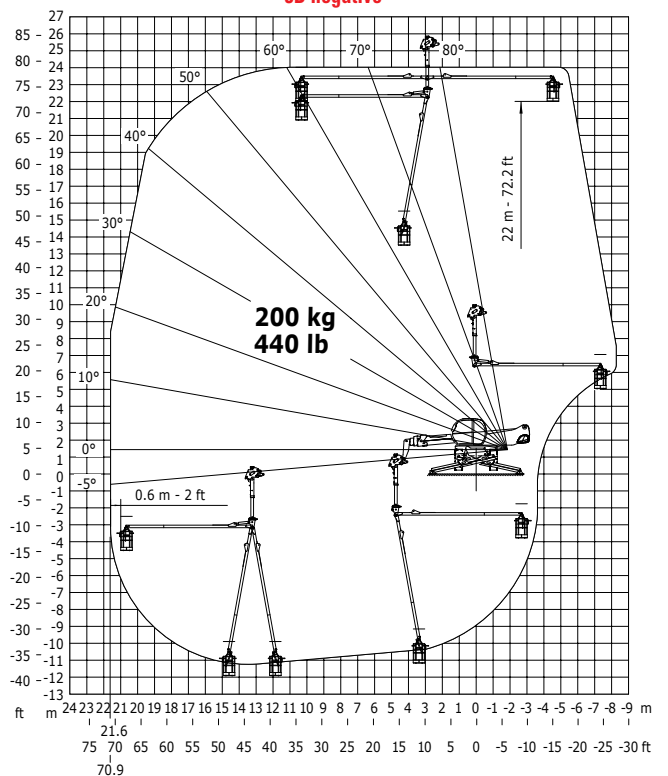
Rotation on extended stabilizers
with 1000 kg platform



Rotation on extended stabilizers
3D positive



Rotation on extended stabilizers
3D negative



Your MANITOU dealer



Head office :
B.P. 249 - 430 rue de l'Aubinière - 44158 Ancenis Cedex - France
Phone.: +33 (0)2 40 09 10 11 - Fax: +33 (0)2 40 09 10 97
www.manitou.com

