



# **BOMAG**

**FAYAT GROUP**

## **Operating instructions Maintenance instructions**

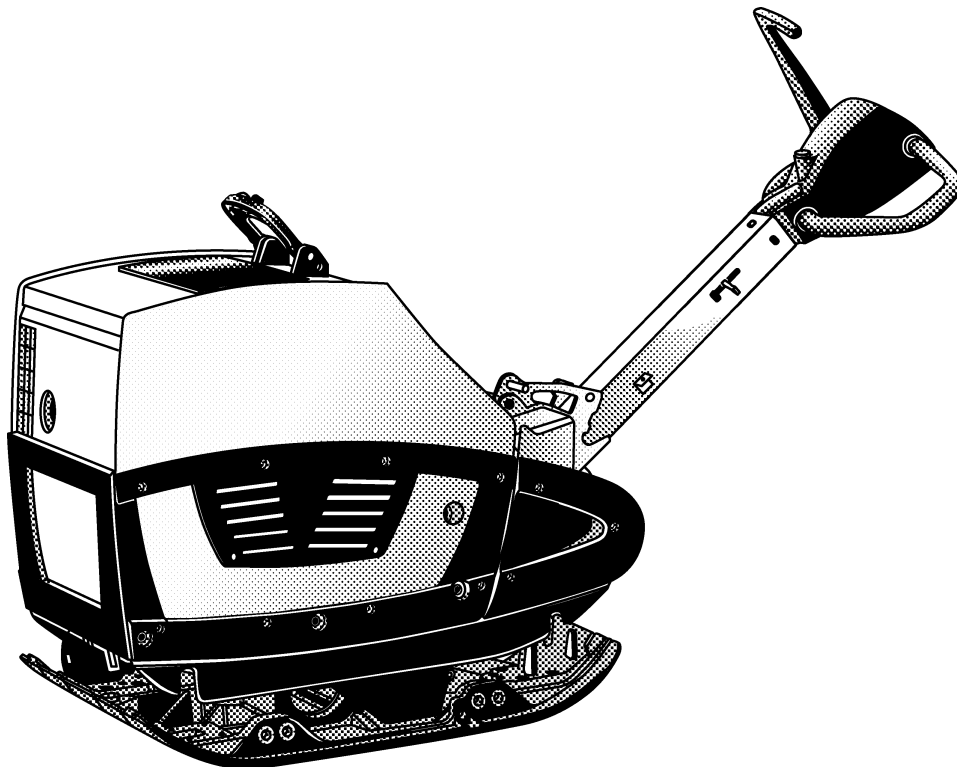
Original operating instructions

---

### **BPR 45/55 D - BPR 55/65 D**

---

S/N 101 692 14 .... / S/N 101 692 33 .... / S/N 101 692 16 .... / S/N 101 692 34 ....



---

### **Reversible Vibrating Plate**

---

If the machine is equipped with a battery :

**CALIFORNIA**

**Proposition 65 Warning**

Battery posts, terminals and related accessories contain lead and lead compounds, chemicals known to the State of California to cause cancer and birth defects or other reproductive harm.

**Wash hands after handling.**

If the machine is equipped with a diesel engine :

**CALIFORNIA**

**Proposition 65 Warning**

The engine exhaust and some of its constituents are known to the state of California to cause cancer, birth defects, and other reproductive harm.

## 1 Foreword

**BOMAG manufactures machine for earth, asphalt and refuse compaction, stabilizers/recyclers as well as milling machine and finishers.**

**BOMAG's vast experience in connection with state-of-the-art production and testing methods, such as lifetime tests of all important components and highest quality demands guarantee maximum reliability of your machine.**

This manual comprises:

- Safety regulations
- Operating instructions
- maintenance instructions
- Trouble shooting

Using these instructions will

- help you to become familiar with the machine.
- avoid malfunctions caused by unprofessional operation.

Compliance with the maintenance instructions will

- enhance the reliability of the machine on construction sites,
- prolong the lifetime of the machine,
- reduce repair costs and downtimes.

BOMAG will not assume liability for the function of the machine

- if it is handled in a way not complying with the usual modes of use,
- if it is used for purposes other than those mentioned in these instructions.

No warranty claims can be lodged in case of damage resulting from

- operating errors,
- insufficient maintenance and
- wrong fuels and lubricants.

### **Please note!**

This manual was written for operators and maintenance personnel on construction sites.

These operating and maintenance instructions are part of the machine.

You should only operate the machine after you have been instructed and in compliance with these instructions.

Strictly observe the safety regulations.

Please observe also the guidelines of the Civil Engineering Liability Association "Safety Rules for the Operation of Road Rollers and Soil Compactors" and all relevant accident prevention regulations.

**For your own personal safety you should only use original spare parts from BOMAG.**

**For your machine BOMAG offers service kits to make maintenance easier.**

**In the course of technical development we reserve the right for technical modifications without prior notification.**

These operating and maintenance instructions are also available in other languages.

Apart from that, the spare parts catalogue is available from your BOMAG dealer against the serial number of your machine.

Your BOMAG dealer will also supply you with information about the correct use of our machines in soil and asphalt construction.

The above notes do not constitute an extension of the warranty and liability conditions specified in the general terms of business of BOMAG.

We wish you successful work with your BOMAG machine.

BOMAG GmbH

Copyright by BOMAG

## Foreword

### Please fill in

.....

Machine type (Fig. 1)

.....

Serial-number (Fig. 1 and 2)

.....

Engine type (Fig. 3)

.....

Engine number (Fig. 3)

#### **i** Note

*Supplement the above data together with the commissioning protocol.*

*During commissioning our organisation will instruct you in the operation and maintenance of the machine.*

*Please observe strictly the safety regulations and all notes on risks and dangers!*

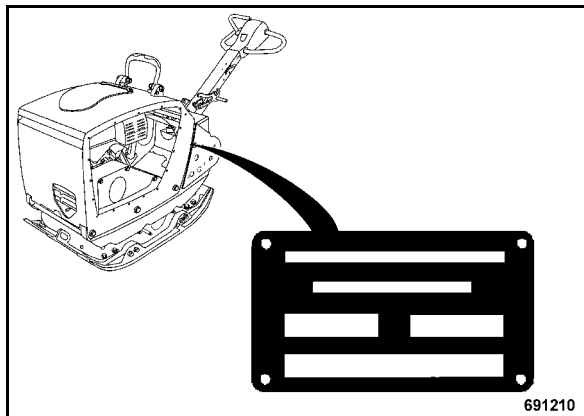


Fig. 1

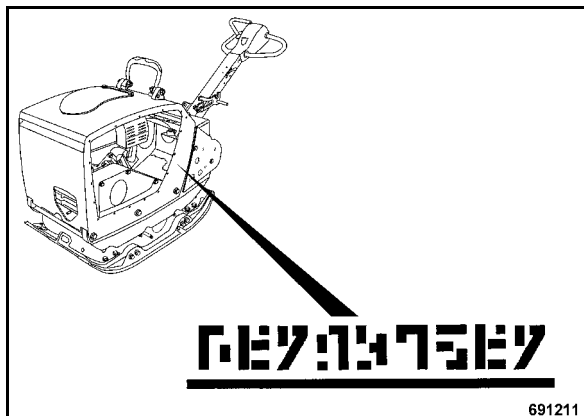


Fig. 2

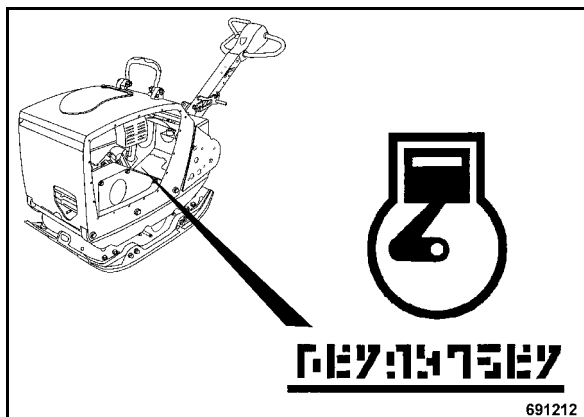


Fig. 3

<b>1</b>	<b>Foreword</b>	<b>3</b>
<b>2</b>	<b>Technical Data</b>	<b>7</b>
<b>3</b>	<b>Safety regulations</b>	<b>13</b>
<b>4</b>	<b>Indicators and Controls</b>	<b>19</b>
4.1	General notes	20
4.2	Description of indicators and control elements	20
4.3	Function of the Economizer	22
<b>5</b>	<b>Operation</b>	<b>23</b>
5.1	General	24
5.2	Tests before taking into operation	24
5.3	Folding down the steering rod	25
5.4	Starting the engine electrically	25
5.5	Starting with recoil starter	27
5.6	Operation of Economizer	29
5.7	Work/operation	30
5.8	Shutting down the engine	32
5.9	Loading/transport	33
<b>6</b>	<b>Maintenance</b>	<b>35</b>
6.1	General notes on maintenance	36
6.2	Fuels and lubricants	37
6.3	Table of fuels and lubricants	39
6.4	Running-in instructions	40
6.5	Maintenance table	41
	<b>Maintenance every day</b>	<b>43</b>
6.6	Clean the machine	43
6.7	Check the engine oil level	43
6.8	Check the fuel level	44
6.9	Check, clean the air filter, replace if necessary	45
	<b>Maintenance every month</b>	<b>47</b>
6.10	Clean the cooling fins and the cooling air intake openings	47
6.11	Drain the sludge from the fuel tank	48
	<b>Maintenance every 6 months</b>	<b>49</b>
6.12	Check the battery condition, grease the poles	49
6.13	Check the oil level in the exciter housing	50
6.14	Check the V-belt tension, if necessary replace the V-belt	50
	<b>Maintenance every year</b>	<b>53</b>
6.15	Change engine oil and oil filter	53

## Table of Contents

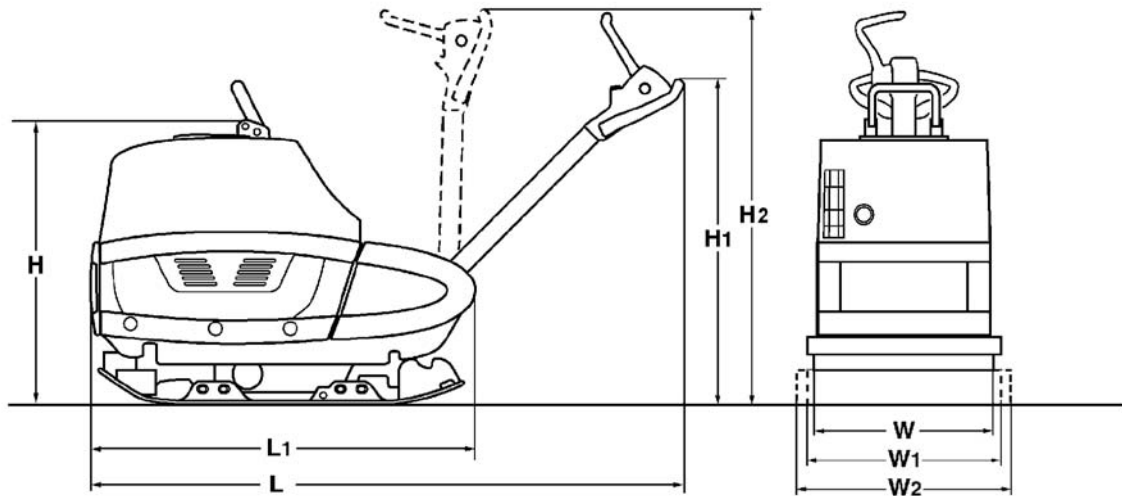
6.16	Replacing the fuel filter	54
6.17	Change the oil in the exciter housing	55
6.18	Check the hydraulic oil level	56
6.19	Check the rubber buffers	58
	<b>As required</b>	<b>59</b>
6.20	Tightening the screws	59
6.21	Engine conservation	59
<b>7</b>	<b>Trouble shooting</b>	<b>61</b>
7.1	General notes	62
7.2	Starting with jump wires	62
7.3	Fuses	63
7.4	Engine problems	64
7.5	Trouble shooting Economizer	66
<b>8</b>	<b>Disposal</b>	<b>67</b>
8.1	Final shut-down of machine	68

---

## **2 Technical Data**

---

## Technical Data



692064

Fig. 4

<b>BPR 45/55 D</b>	H	H1	H2	L	L1	W	W1	W2
Dimensions in mm	790	980	1350	1700	900	450	550	750
Dimensions in inch	31.1	38.6	53.2	66.9	35.4	17.7	21.7	29.5

### BPR 45/55 D

#### Weights

Operating weight (CECE) (W)	381 kg	840 lbs
Operating weight (CECE) (W1)	396 kg	873 lbs
Operating weight (CECE) (W2)	412 kg	908 lbs
Basic weight	391 kg	862 lbs
Economizer <sup>1</sup>	+ 5 kg	11 lbs

#### Travel characteristics

Working speed max.	28 m/min	92 ft/min
Max. gradability (depending on soil)	35%	35%

#### Drive

Engine manufacturer	Lombardini	Lombardini
Type	15 LD 440	15 LD 440
Cooling	Air	Air
Number of cylinders	1	1



**BPR 45/55 D**

Rated power ISO 9249	6.6 KW	8.9 hp
Rated speed	3000 min <sup>-1</sup>	3000 rpm
Drive system	mechanical	mechanical

**Exciter system**

Frequency	70 Hz	4200 vpm
Centrifugal force	45 kN	10116 lbf

**Filling capacities**

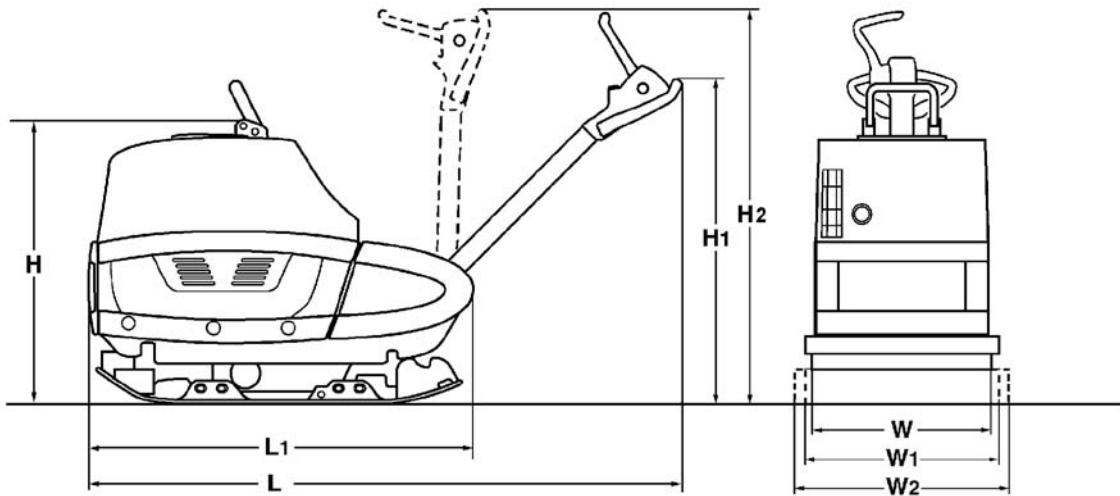
Fuel (diesel)	5.0 l	1.3 gal us
Engine oil	1.5 l	0.4 gal us

1 Optional equipment

**i Note**

*Subject to technical alterations.*

## Technical Data



692064

Fig. 5

<b>BPR 55/65 D</b>	H	H1	H2	L	L1	W	W1	W2
Dimensions in mm	790	980	1350	1700	900	450	650	750
Dimensions in inch	31.1	38.6	53.2	66.9	35.4	17.7	25.6	29.5

### BPR 55/65 D

#### Weights

Operating weight (CECE) (W)	436 kg	961 lbs
Operating weight (CECE) (W1)	456 kg	1005 lbs
Operating weight (CECE) (W2)	467 kg	1030 lbs
Basic weight	451 kg	994 lbs
Economizer <sup>1</sup>	+ 5 kg	11 lbs

#### Travel characteristics

Working speed max.	28 m/min	92 ft/min
Max. gradability (depending on soil)	35%	35%

#### Drive

Engine manufacturer	Lombardini	Lombardini
Type	15 LD 440	15 LD 440
Cooling	Air	Air
Number of cylinders	1	1

**BPR 55/65 D**

Rated power ISO 9249	6.6 KW	8.9 hp
Rated speed	3000 min <sup>-1</sup>	3000 rpm
Drive system	mechanical	mechanical

**Exciter system**

Frequency	66 Hz	3960 vpm
Centrifugal force	55 kN	12365 lbf

**Filling capacities**

Fuel (diesel)	5.0 l	1.3 gal us
Engine oil	1.5 l	0.4 gal us

1 Optional equipment

**i Note**

*Subject to technical alterations.*

## Technical Data

The following noise and vibration data acc. to

- EC Machine Regulation edition 2006/42/EC
- the noise regulation 2000/14/EG, noise protection guideline 2003/10/EC
- Vibration Protection Regulation 2002/44/EC

were determined during conditions typical for this type of equipment and by application of harmonized standards.

During operation these values may vary because of the existing operating conditions.

### Noise value

**Sound pressure level on the place of the operator:**

BPR 45/55 D:  $L_{pA} = 95$  dB(A), determined acc. to ISO 11204 and EN 500

BPR 55/65 D:  $L_{pA} = 95$  dB(A), determined acc. to ISO 11204 and EN 500

**Guaranteed sound power level:**

BPR 45/55 D:  $L_{WA} = 108$  dB(A), determined acc. to ISO 3744 and EN 500

BPR 55/65 D:  $L_{WA} = 108$  dB(A), determined acc. to ISO 3744 and EN 500

### **Danger**

**Loss of hearing!**

**Wear your personal noise protection means (ear defenders) before starting operation.**

### Vibration value

**Hand-arm vibration:**

Vector total of the weighted effective acceleration in three orthogonal directions:

**Weighted total vibration value**

BPR 45/55 D:  $a_{hv} = 4,6$  m/s<sup>2</sup>, on crushed rock determined acc. to ISO 5349 and EN 500

BPR 55/65 D:  $a_{hv} = 8,7$  m/s<sup>2</sup>, on crushed rock determined acc. to ISO 5349 and EN 500

### **Caution**

**Observe the daily vibration load (Industrial safety acc. to 2002/44/EEC).**

---

### **3 Safety regulations**

---

### General

**This BOMAG machine has been built in compliance with the latest technical standard and complies with the applicable regulations and technical rules. However, dangers for persons and property may arise from this machine, if:**

- it is used for purposes other than the ones it is intended for,
- it is operated by untrained personnel,
- it is changed or converted in an unprofessional way,
- the safety instructions are not observed.

**Each person involved in the operation, maintenance and repair of the machine must therefore read and comply with these safety regulations. If necessary, this must be confirmed by obtaining the signature of the customer.**

Furthermore, the following obviously also applies:

- applicable accident prevention instructions,
- generally accepted safety and road traffic regulations,
- country specific safety regulations. It is the duty of the operator to be acquainted with these instructions and to apply these accordingly. This applies also for local regulations concerning different types of handling work. Should the recommendations in these instructions be different from the regulations valid in your country, you must comply with the safety regulations valid in your country.

### Intended use

This machine must only be used for:

- Compaction of all types of soils
- Repair work on all types of soil
- Paving of walkways
- Work in trenches
- Underfilling and compaction of hard shoulders

### Unintended use

Dangers may arise from the machine when it is used for purposes other than the one it is intended for.

Any danger caused by intended use is the sole responsibility of the customer or driver/operator, the manufacturer cannot be made liable.

Examples for unintended use are:

- Dragging the machine along as a measure of transportation
- Throwing the machine off the transport vehicle
- Attaching an additional weight to the machine

It is not permitted to stand on the machine while working.

Any transport ropes fastened to the machine must be removed before operation.

Starting and operation of the machine in explosive environments and in underground mining is prohibited.

### Remaining dangers, remaining risks

Despite careful work and compliance with standards and regulations it cannot be ruled out that further dangers may arise when working with and handling the machine.

Both the machine as well as all other system components comply with the currently valid safety regulations. Nevertheless, remaining risks cannot be ruled out completely, even when using the machine for the purpose it is intended for and following all information given in the operating instructions.

A remaining risk can also not be excluded beyond the actual danger zone of the machine. Persons remaining in this area must pay particular attention to the machine, so that they can react immediately in case of a possible malfunction, an incident or failure etc.

All persons remaining in the area of the machine must be informed about the dangers that arise from the operation of the machine.

### Regular safety inspections

Have the machine inspected by an expert (capable person) as required for the condition the machine is working under, but at least once every year.

## Who is allowed to operate the machine?

Only trained, instructed and authorized persons of at least 18 years of age are permitted to drive and operate this machine. For operation of the machine the responsibilities must be clearly specified and complied with.

Persons under the influence of alcohol, medicine or drugs are not allowed to operate, service or repair the machine.

Maintenance and repair work requires specific knowledge and must therefore only be performed by trained specialists.

## Changes and conversions to the machine

Unauthorized changes to the machine are prohibited for safety reasons.

Original parts and accessories have been specially designed for this machine.

We wish to make explicitly clear that we have not tested or approved any parts or accessories not supplied by us.

The installation and/or use of such products may have an adverse effect on the active and/or passive safety.

The manufacturer explicitly excludes any liability for damage caused by the use of non-original parts or accessories.

## Damage, deficiencies, misuse of safety installations

Machines which are not safe to operate must be immediately taken out of service and shall not be used, until these deficiencies have been properly rectified.

Safety installations and switches must neither be removed nor must they be made ineffective.

## Notes on safety in the operating and maintenance instructions

### **Danger**

Paragraphs marked like this highlight possible dangers for persons.

### **Caution**

Paragraphs marked like this highlight possible dangers for machines or parts of the machine.

### **Note**

Paragraphs marked like this contain technical information for the optimal economical use of the machine.

### **Environment**

Paragraphs marked like this point out practices for safe and environmental disposal of fuels and lubricants as well as replacement parts.

Observe the regulations for the protection of the environment.

## Loading/transporting the machine

Make sure that persons are not endangered by the machine tipping or sliding off.

Use only safe lifting gear of sufficient load bearing capacity. Minimum lifting capacity of lifting gear: see operating weight in chapter "Technical Data".

Loads must only be attached and hoisted by an expert (capable person).

Fasten the lifting gear only at the specified lifting points.

Check lifting eye for damage before use. Do not use a damaged or in any other way impaired lifting eye.

Do not lift or lower the machine jerkily.

The tension must always be effective in vertical direction.

The machine must not swing about when being lifted.

Do not step or stand under suspended loads.

Always use suitable lashing gear on the lifting points to lash down the machine.

Lash the machine down, so that it is secured against rolling, sliding and turning over.

## Starting the machine

### Before starting

Become acquainted with the equipment, the control elements, the working principle of the machine and the working area.

## Safety regulations

Wear your personal protective outfit (hard hat, safety boots, etc.). Wear ear defenders.

Before starting the machine check whether:

- the machine shows any obvious faults
- all guards and safety elements are in place
- the controls are fully functional
- the machine is free of oily and combustible material
- all grips are free of grease, oils, fuel, dirt, snow and ice.

When starting with recoil starter check the starter rope for chafing before starting, replace if necessary. A damaged rope can break and cause injuries during starting.

Use only machines which are serviced at regular intervals.

Do not use starting aid sprays or other inflammable fluids for starting.

### Starting and operation of the machine is closed rooms and trenches

Exhaust gases are highly dangerous! Always ensure an adequate supply of fresh air when starting and operating in closed rooms and trenches!

### Operation

Operate the machine only with the steering rod folded down.

Guide the machine only by the steering rod.

Guide the machine so that your hands do not hit against solid objects, danger of injury.

As a measure to avoid injury the machine must only be guided from the side by the steering handle

Always keep an eye on a running machine.

Watch out for unusual noises and development of smoke. Perform trouble shooting and have the fault corrected.

Operate the machine only with full engine speed, as otherwise the centrifugal clutch will be destroyed.

### Parking the machine

Park the machine on level and firm ground.

Before leaving the machine:

- Park the machine so that it cannot tip over,
- shut the engine down and pull the ignition key out.

Mark machines, which could be in the way, with a clearly visible sign.

### Refuelling

Do not inhale any fuel fumes.

Refuel only with the engine shut down.

Do not refuel in closed rooms.

No open fire, do not smoke.

Do not spill any fuel. Catch running out fuel, do not let it seep into the ground.

Keep dirt and water away from the fuel.

A leaking fuel tank can cause an explosion. Ensure tight fit of the fuel tank cover, if necessary replace immediately.

### Maintenance work

Comply with the maintenance work described in the operating and maintenance instructions, including the information concerning the replacement of parts.

Maintenance work must only be performed by qualified and authorized persons.

Keep unauthorized persons away from the machine.

Do not touch hot engine parts.

Do not perform maintenance work while the motor is running.

Park the machine on level, firm ground.

Remove the key from the ignition switch.

### Working on the engine

Drain the engine oil at operating temperature – danger of scalding!

Wipe off spilled oil, catch running out oil and dispose of environmentally.

Store used filters and other oil contaminated materials in a separate, specially marked container and dispose of environmentally.



### **Working on electric parts of the machine**

Before starting to work on electric parts of the machine disconnect the battery and cover it with insulating material.

Do not use fuses with higher ampere ratings and do not bridge fuses - fire hazard!

### **Working on the battery**

When working on the battery do not smoke, do not use open fire!

Do not let acid come in contact with hands or clothes! When injured by acid flush off with clear water and seek medical advice.

Wear gloves and goggles.

Metal objects (e.g. tools, rings, watch straps) must not come in contact with the battery poles – danger of short circuit and burning!

For recharging remove the plugs from the battery to avoid the accumulation of highly explosive gases.

Observe the applicable instructions when starting with an auxiliary battery.

Switch off the charging current before removing the charging clamps.

Ensure sufficient ventilation, especially if the battery is to be charged in a closed room.

Dispose of old batteries according to regulations.

### **Working on the fuel system**

Do not inhale any fuel fumes.

Avoid open fire, do not smoke, do not spill any fuel.

Catch running out fuel, do not let it seep into the ground and dispose off environmentally.

### **Cleaning work**

Do not perform cleaning work while the motor is running.

Do not use gasoline or other easily inflammable substances for cleaning.

When using a steam cleaner for cleaning do not subject electrical parts and insulation material to the direct jet or cover these items beforehand.

Do not guide the water jet directly into air filter and air intake or exhaust muffler.

### **After maintenance work**

After all maintenance work is completed reinstall all guards and safety installations.

### **Repair**

Repair work must only be performed by qualified and authorized persons. Use our repair instructions for this work.

Exhaust gases are highly dangerous! Always ensure an adequate supply of fresh air when starting in closed rooms!

Mark defective machines by attaching a warning note to the steering handle.

### **Welding**

Before starting welding work on the machine disconnect the battery and cover the fuel tank with insulating material.

### **Safety stickers on the machine**

Keep safety stickers in good condition and legible and follow their meaning.

Replace damaged and illegible safety stickers.

## Safety regulations

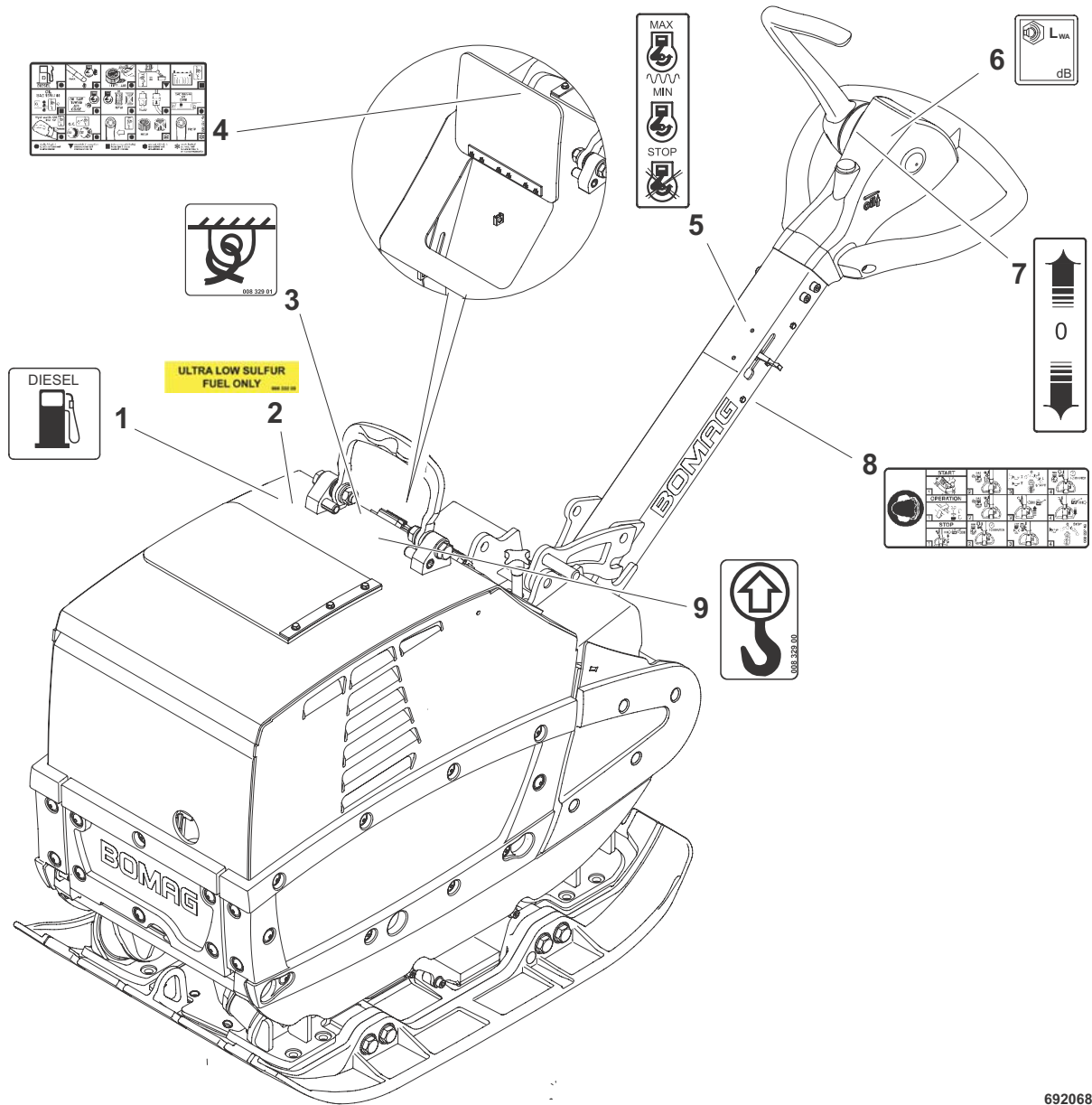


Fig. 6

692068

### Stickers and decals BPR 45/55 D, BPR 55/65 D

- |   |  |   |   |
|---|--|---|---|
| 1 | Information sticker - Diesel                 | 6 | Information sticker - Guaranteed sound capacity level |
| 2 | Information sticker - Ultra-low sulphur fuel | 7 | Information sticker - Travel lever                    |
| 3 | Information sticker - Lashing point          | 8 | Brief operating instructions                          |
| 4 | Maintenance sticker                          | 9 | Information sticker - Lifting point                   |
| 5 | Information sticker - Throttle lever         |   |   |

---

## **4 Indicators and Controls**

---

### 4.1 General notes

If you are not yet familiar with the control and display elements on this machine you should read this section thoroughly before starting any operation on the machine. Here all functions are described in detail.

The section "Operation" contains only brief descriptions of the individual control steps.

### 4.2 Description of indicators and control elements

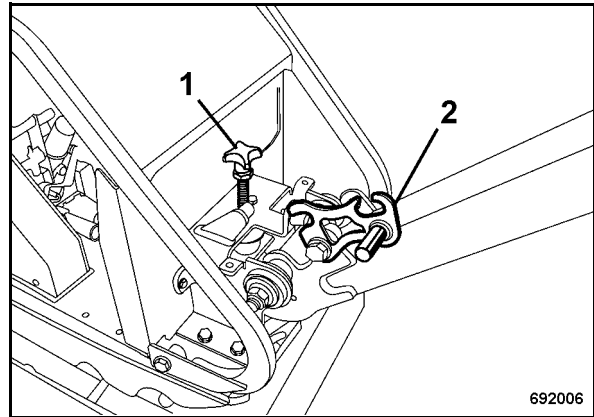


Fig. 7

**No. 1 = Steering rod height adjustment**

**No. 2 = Locking pawl lever**

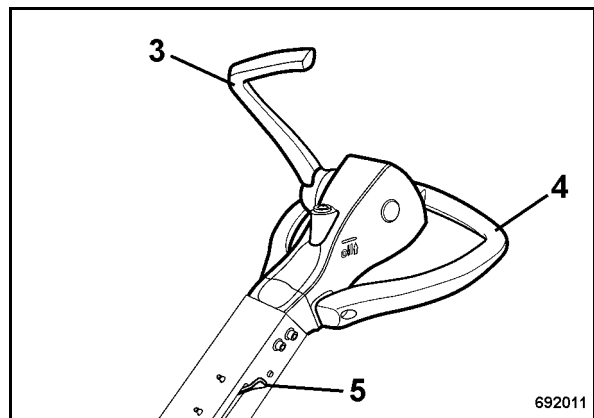
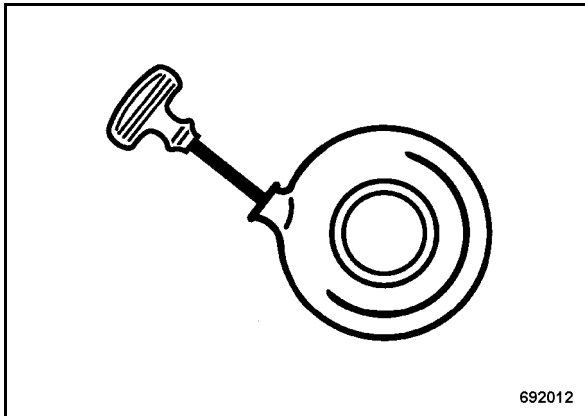


Fig. 8

**No. 3 = Travel lever**

**No. 4 = Handle**

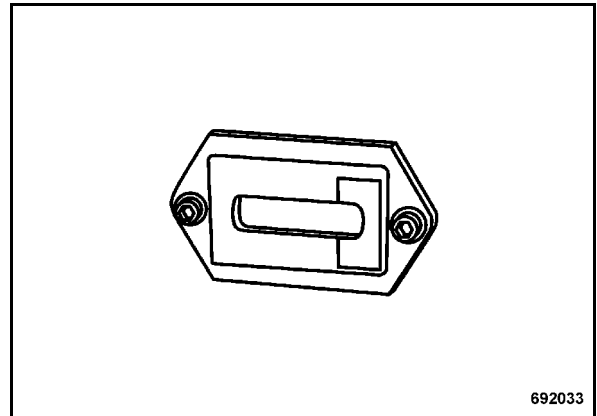
**No. 5 = Throttle lever**



692012

Fig. 9

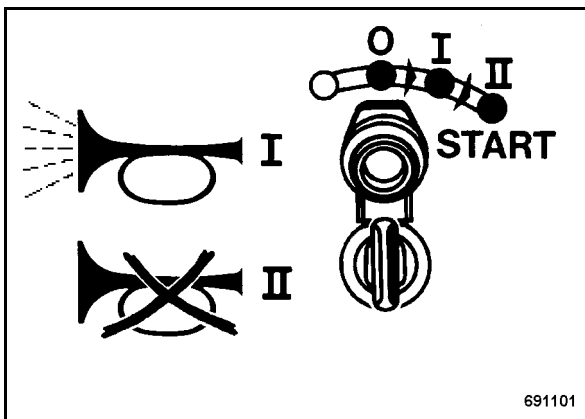
**No. 6 = Recoil starter**



692033

Fig. 11

**No. 8 = Operating hour meter**

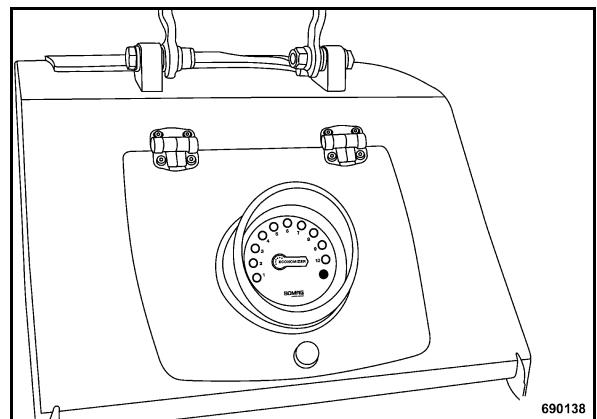


691101

Fig. 10

**No. 7 = Start switch**

- Position "0" = Ignition off, warning buzzer off
- Position "I" = Ignition on, warning buzzer on
- Position "II" = Engine starts, warning buzzer off



690138

Fig. 12

**No. 9 = Economizer display<sup>1</sup>**

<sup>1</sup> Optional equipment

### 4.3 Function of the Economizer

Surface covering compaction control is used to determine the dynamic stiffness of the soil. An acceleration sensor measures the reaction of the soil to the vibrating base plate of the vibratory plate. An LED display shows the soil stiffness measuring value as a non-dimensional value.

This continuous measuring display enables the detection and directed subsequent compaction of possibly arising weak spots.

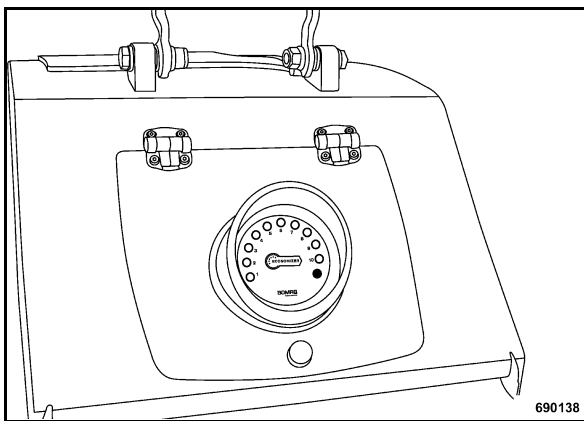


Fig. 13

The Economizer consists of two components:

- the evaluation and display module is integrated in the maintenance flap (within the operator's view). It shows the measuring value measured by the compaction control.
- The acceleration sensor is fastened to the base plate. It converts the accelerations occurring on the base plate into voltage signals.

For the output of the measuring value in the LED display the voltage signal from the acceleration sensor is picked up and processed by the evaluation unit.

In order to achieve the required soil stiffness measured in  $\text{MN/m}^2$ , a reference measurement (e.g. dynamic load plate) must be made before the material is compacted.

This is necessary to find out how many LEDs in the Economizer display correspond with the required value in  $\text{MN/m}^2$  on the soil being compacted.

### Evaluation and display module

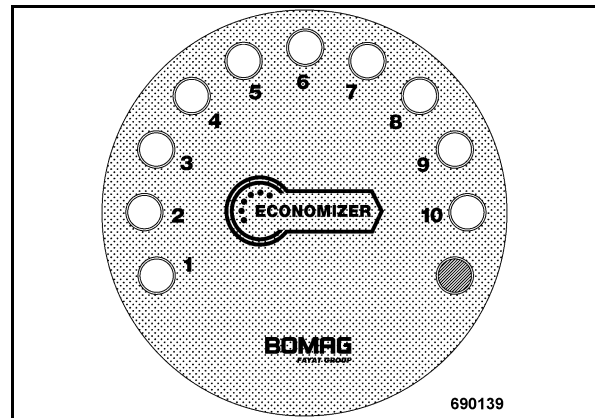


Fig. 14

The yellow LEDs represent the measuring value from the compaction control in 10 stages.

The brightness of the respective last LED varies in order to show intermediate values (example: 4,5: four LEDs are fully on, the fifth LED lights with reduced brightness).

The red LED informs about the system status.

### Acceleration sensor

The sensor consists of a sensor element, which is enclosed in a sensor housing, and a connecting cable with plug-in connector. Actual sensor, housing, cable and plug-in connector come as a unit, which cannot be repaired on its own.

The unit is mounted to the base plate of the machine.

#### **i** Note

*The Economizer is maintenance free.*

*Do not clean the front screen with hard objects! The material may be destroyed. Possibly disturbing scratches can be removed by polishing, e.g. with lacquer polish.*

#### **i** Note

*Vibrating plates of the same type show identical measuring values when used on the same soil.*

*The measuring values achieved with different vibratory plates with Economizer from BOMAG can be made comparable by calibration to a reference value.*

---

## **5 Operation**

---

### 5.1 General

If you are not yet acquainted with the controls and indicating elements on this machine you should thoroughly read chapter "Indicators and control elements" before starting work.

All indicators and control elements are described in detail in this chapter.

### 5.2 Tests before taking into operation

#### **i Note**

*The running in time of the vibratory plate is 25 operating hours.*

The following inspections must be carried out before each working day or before a longer working period.

#### **⚠ Danger**

**Danger of accident!**

**Please observe strictly the safety regulations in the corresponding section of this instruction manual!**

- Park the machine on ground as level as possible.
- Cleaning the machine.

#### **Check:**

- condition of engine and machine.
- fuel tank and fuel lines for leaks.
- screw connections for tight fit.

#### **i Note**

*For a description of the following tasks refer to the chapter "Daily maintenance".*

- Check the engine oil level, top up if necessary.
- Check the fuel level, top up if necessary.
- Air filter.



### 5.3 Folding down the steering rod

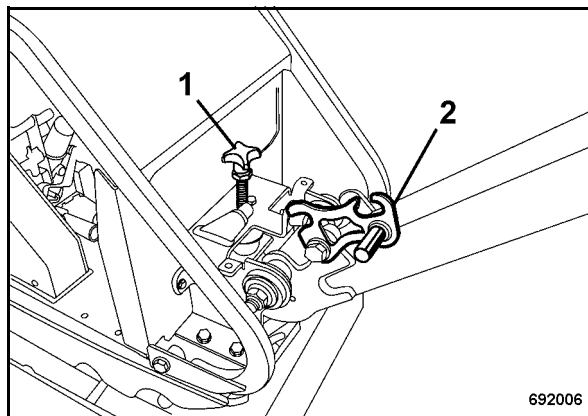


Fig. 15

- Pull the locking pawl lever (2) (Fig. 15) and lower the steering rod, so that it can swing freely.
- Adjust the steering rod with the height adjustment (1) to the height of your body.

### 5.4 Starting the engine electrically

**⚠ Danger**

Exhaust gases are highly dangerous!

Always ensure an adequate supply of fresh air when starting and operating in closed rooms and trenches!

**⚠ Danger**

Danger of accident!

Before starting make sure that there are no persons in the danger area of engine or machine and that all safety installations are in place.

Always hold on to the machine.

Always keep an eye on a running machine.

**⚠ Danger**

Loss of hearing!

Wear your personal noise protection means (ear defenders) before starting operation.

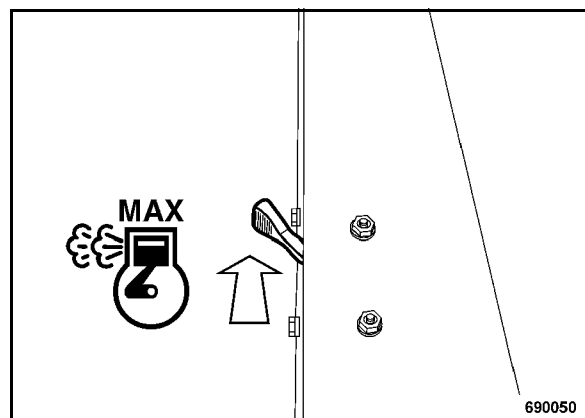


Fig. 16

- Set the throttle lever (Fig. 16) to position "MAX".

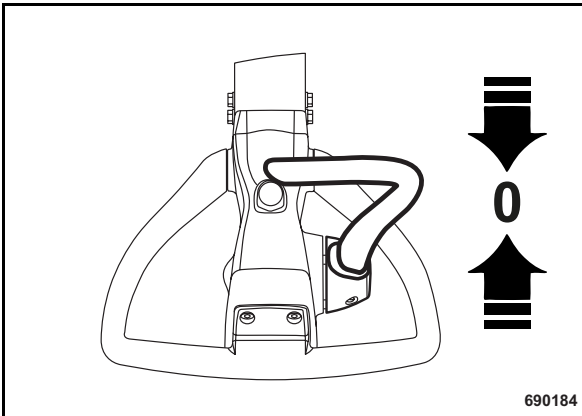


Fig. 17

- Shift the travel lever (Fig. 17) to position "0".

**⚠ Caution**

**Run the starting process for maximum 20 seconds without interruption and pause for a minute between starting attempts.**

**If the engine has not started after two attempts, determine the cause.**

**i Note**

*The starter switch is designed with a re-start lock. For a new starting attempt turn the ignition key first back to position "0".*

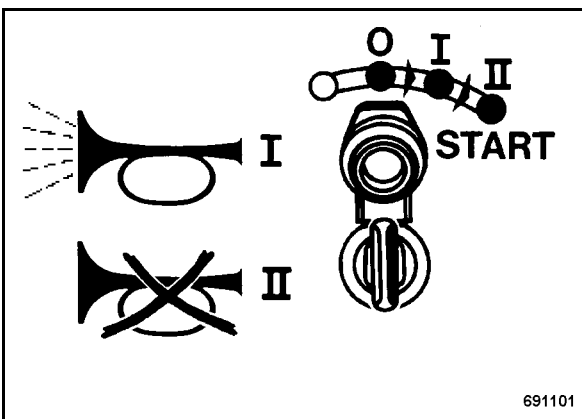


Fig. 18

- Turn the ignition key to position "I" (Fig. 18), the warning buzzer sounds.
- Then turn the ignition key further to position "II" to start the engine.
- As soon as the engine runs, return the ignition key to position "I". The warning buzzer stops.

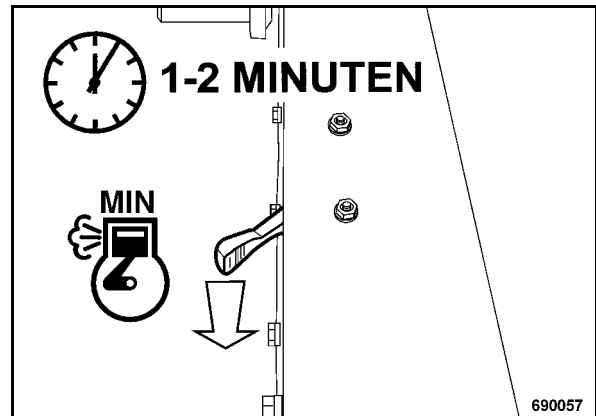


Fig. 19

- After starting take the throttle lever back to position "MIN" (Fig. 19).
- Run the engine warm for approx. 1 to 2 minutes in idle speed.

**i Note**

*Operation of the vibratory plate can be started as soon as the engine responds to short throttle commands.*

**⚠ Caution**

**When the engine is running leave the ignition key in position "I".**

## 5.5 Starting with recoil starter

### **i** Note

Starting with the recoil starter should only be used in case of a defective, discharged or missing battery.

### **⚠** Danger

**Exhaust gases are highly dangerous!**

Always ensure an adequate supply of fresh air when starting and operating in closed rooms and trenches!

### **⚠** Danger

**Danger of accident!**

Before starting make sure that there are no persons in the danger area of engine or machine and that all safety installations are in place.

Before starting check the starter rope for chafing, replace if necessary. A damaged rope can break and cause injuries during starting.

Always hold on to the machine.

Always keep an eye on a running machine.

### **⚠** Danger

**Loss of hearing!**

Wear your personal noise protection means (ear defenders) before starting operation.

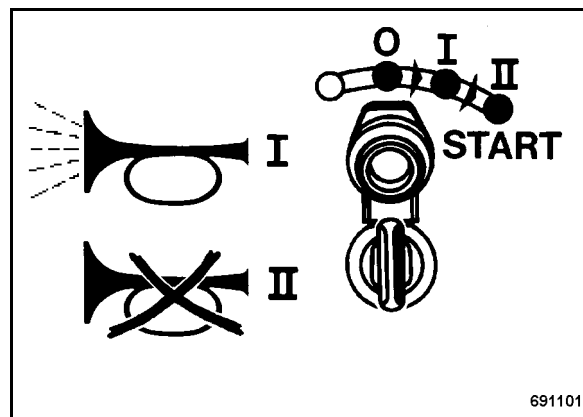


Fig. 20

- Turn the ignition key to position "I" (Fig. 20), the warning buzzer does not sound.

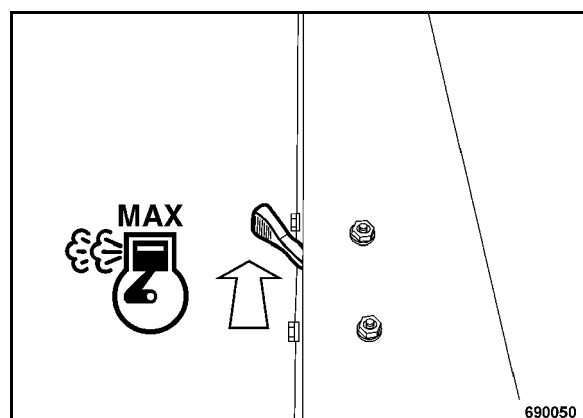


Fig. 21

- Set the throttle lever (Fig. 21) to position "MAX".

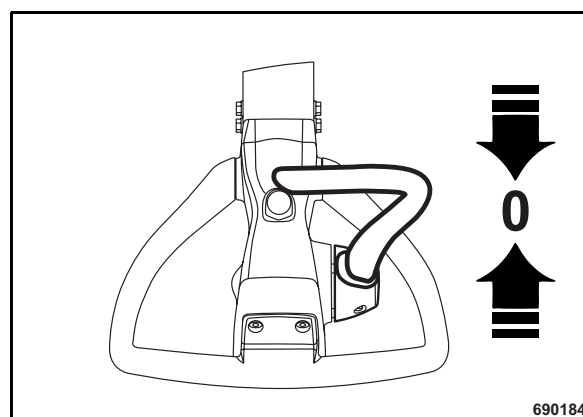


Fig. 22

- Shift the travel lever (Fig. 22) to position "0".

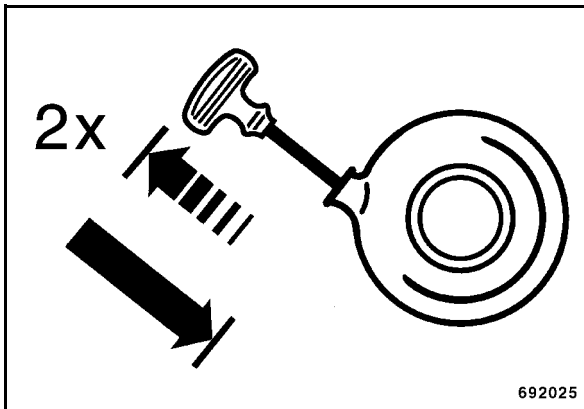


Fig. 23

- Slightly pull the starter handle (Fig. 23) two times, until resistance can be felt (compression pressure), and return it to initial position.

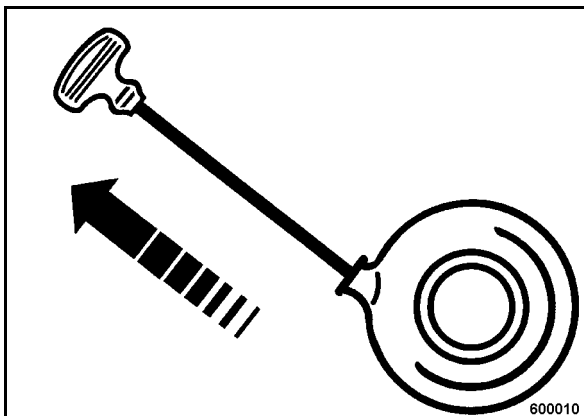


Fig. 24

- Pull the starter handle (Fig. 24) quickly and powerful as far out as possible.

### **⚠ Caution**

**Do not let the starter handle hit back, but guide it back.**

- If the engine does not start during the first attempt, repeat the starting process.

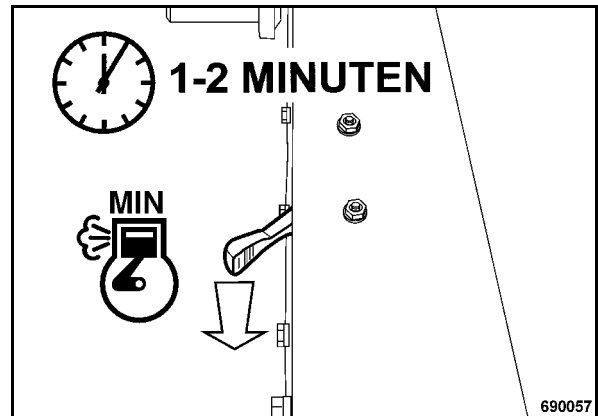


Fig. 25

- Set the throttle lever (Fig. 25) to position "MIN".
- Run the engine warm for approx. 1 to 2 minutes in idle speed.

### **i Note**

*Operation of the vibratory plate can be started as soon as the engine responds to short throttle commands.*

## 5.6 Operation of Economizer

### Meaning of display LEDs/self test

The display LEDs signalize the measuring value of the system. After the corresponding processing by the evaluation module, the display shows a measurement for the compaction of the soil. The number of lighting LEDs symbolizes the increasing compaction of the soil.

The measuring system is automatically started when switching on the machine. The system first of all runs a self test of the LED display.

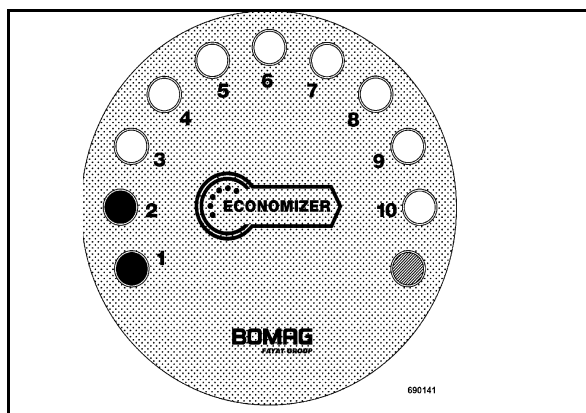


Fig. 26

Self test: the LEDs come on in individual steps from one to ten. Once all LEDs are on, the display goes out again in single steps.

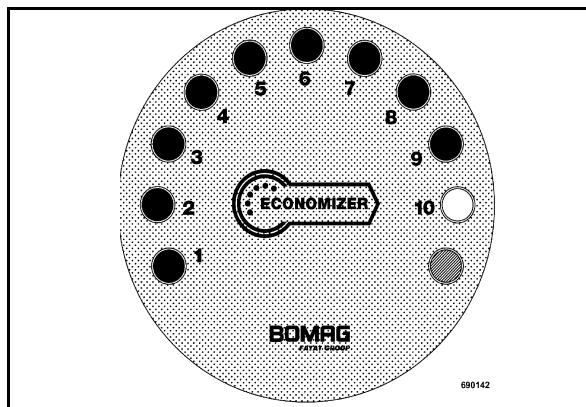


Fig. 27

After completion of the self test the system returns to measuring operation; the status LED (red) first of all lights permanently; this enables the detection of possibly existing system faults.

### Notes on operation

- Display values higher during the first pass than during the second pass: the front rounded shape increases the contact area on loose material, a slightly higher measuring value may be displayed.
- The Economizer does not reach the maximum display value, even after many passes: due to different soil stiffness values the maximum value cannot be reached in each case.
- The display varies during a pass by one point up/down: caused by slight fluctuations in material composition and lift height, the mean value indicated during the last pass is decisive.
- The displayed value rises when changing the travel direction: the effective force applied to the soil by the vibratory plate rises when reversing the travel direction. Correct measuring values can only be achieved in forward and reverse travel with maximum speed.
- The display rises to the red section, while all yellow LEDs are on: this signalizes that the maximum possible compaction with this vibratory plate has been reached.
- When the red status LED is permanently on, but no other LED lights, the Economizer does not detect any vibration.
- The red status LED flashes, if the vibration frequency is too low. In order to obtain comparable Economized measuring values, the vibratory plate must work with a predetermined frequency. Measuring values obtained with low frequency cannot be compared with values obtained with high frequency.
- The displayed measuring values are not plausible: weak spots may also be located under the layer to be compacted and thus adversely affect compaction of the layers above. In unfavourable cases an excessively varying material composition or moisture can influence the measuring results.

#### **i** Note

*Check the sensor on the base plate for tight fit!  
Both screws must be tight.*

- Influence of the water content in the soil on the Economizer: Display of reduced measuring values in case of too dry or too moist material.
- Influence of extension bars on the measuring value: Assembling or removing extension bars changes the contact area and the vibration ampli-

tude. A generally valid statement about the influence on the measuring result cannot be made.

- The measuring values can at present not be saved and documented.

## 5.7 Work/operation

### **⚠ Danger**

**Danger of accident!**

**Operate the machine only with the steering rod folded down.**

**Guide the machine only by the steering rod.**

**Guide the machine so that your hands do not hit against solid objects.**

**Always keep an eye on a running machine.**

### **⚠ Caution**

**Operate the vibratory plate only with full engine speed, as otherwise the centrifugal clutch will be destroyed.**

**For short breaks you should always return the throttle lever to idle speed position, this avoids premature wear of the centrifugal clutch.**

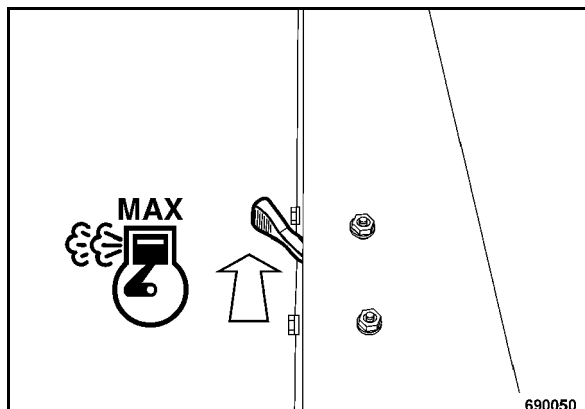


Fig. 28

- Set the throttle lever (Fig. 28) to position "MAX".

### Drive forward

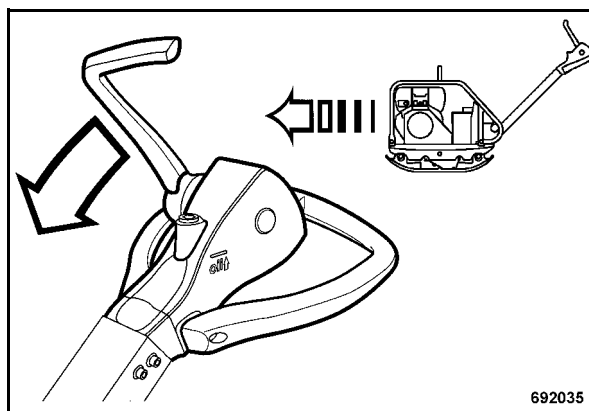


Fig. 29

- Push the travel lever (Fig. 29) forward, until the vibratory plate has reached the desired speed.

The machine drives with a speed which corresponds with the travel lever position.

**i Note**

*If the machine moves forward with considerably reduced speed, pull the travel lever completely back and shift it forward again.*

### Drive backwards

**⚠ Danger**

**Danger of accident!**

**As a measure to avoid injury the machine must only be guided from the side by the steering handle**

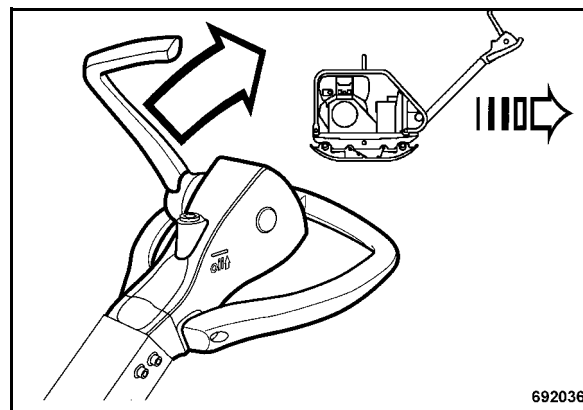


Fig. 30

- Pull the travel lever (Fig. 30) back, until the vibratory plate has reached the desired speed in reverse.

The machine vibrates backwards with a speed which corresponds to the travel lever position.

### If the vibratory plate got stuck

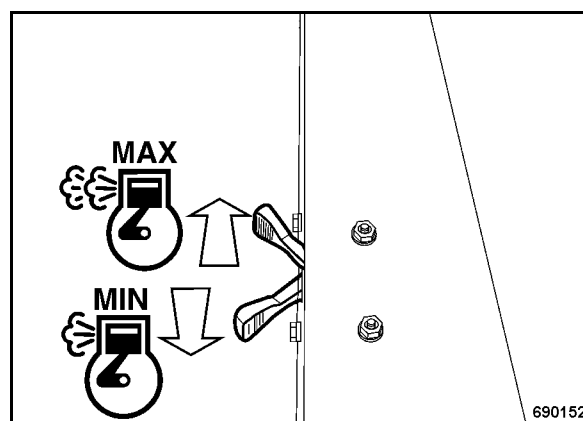


Fig. 31

- Keep shifting the throttle lever (Fig. 31) between "MIN" and "MAX" positions.
- At the same time pull the vibratory plate by the steering rod to the right and left, until it comes free.

## 5.8 Shutting down the engine

**Caution**

Do not shut the engine down all of the sudden from full speed, but let it idle for a while for temperature equalization.

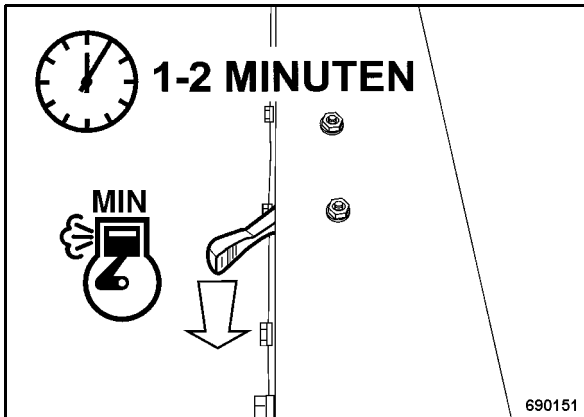


Fig. 32

- Shift the throttle lever to position "MIN" (Fig. 32) and let the engine run with idle speed for a short while.
- Vibration is shut down.

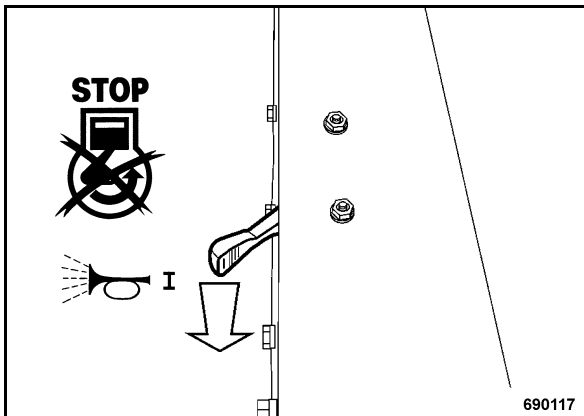


Fig. 33

- Set the throttle lever (Fig. 33) to position "STOP".

The warning buzzer sounds.

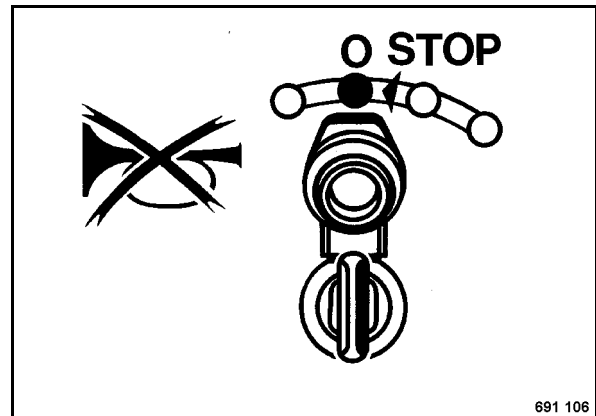


Fig. 34

- Turn the ignition key (Fig. 34) to position "0" and pull it out.

The warning buzzer no longer sounds.



## 5.9 Loading/transport

### **⚠ Danger**

**Danger of accident! Life hazard!**

Make sure that persons are not endangered by the machine tipping or sliding off.

Use only safe lifting gear of sufficient load bearing capacity Minimum lifting capacity of lifting gear: see operating weight in chapter "Technical Data".

Loads must only be attached and hoisted by an expert (capable person).

For lifting the machine attach the lifting gear only to the lifting eye provided for this purpose.

Check lifting eye for damage before use. Do not use a damaged or in any other way impaired lifting eye.

Do not lift or lower the machine jerkily.

The tension must always be effective in vertical direction.

The machine must not swing about when being lifted.

Do not step or stand under suspended loads.

Always use suitable lashing gear on the lifting points to lash down the machine.

Lash the machine down, so that it is secured against rolling, sliding and turning over.

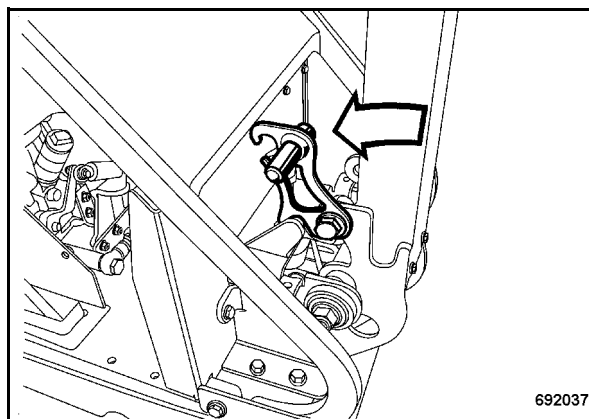


Fig. 35

- Adjust the steering rod upright and engage the locking lever (Fig. 35).

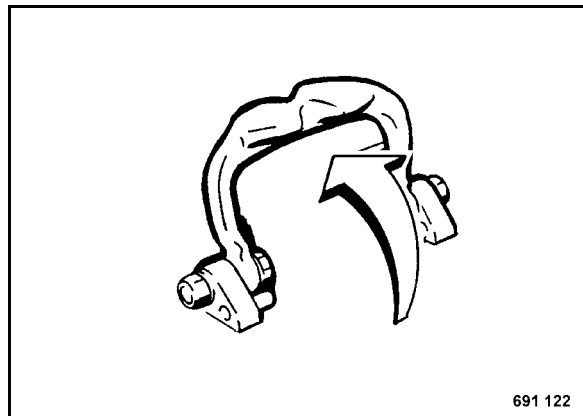


Fig. 36

- Fold the lifting hook (Fig. 36) up.

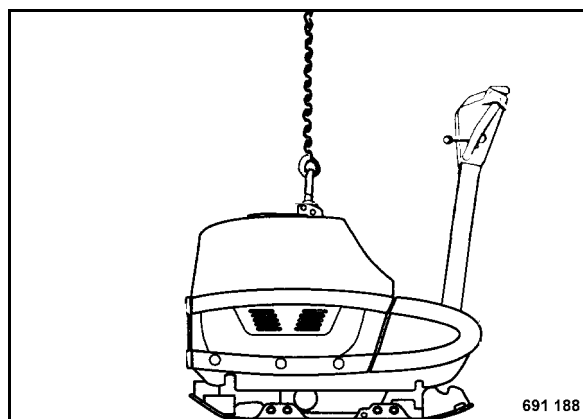


Fig. 37

- Always attach the lifting tackle to the lifting eye to load the vibratory plate (Fig. 37) on a transport vehicle.
- Lash the vibratory plate down to the transport vehicle, so that it is secured against rolling, sliding and turning over. Fasten the lashing tackle at the marked lashing points.



---

## **6 Maintenance**

---

### 6.1 General notes on maintenance

When performing maintenance work ensure strict compliance with the respective safety instructions and particularly the safety regulations mentioned in the corresponding section of these operating and maintenance instructions.

Thorough maintenance of the machine guarantees far longer safe functioning of the machine and prolongs the lifetime of important components. The effort needed for this work is only little compared with the problems that may arise when not observing this rule.

- Always clean machine and engine thoroughly before starting maintenance work.
- For maintenance work stand the machine on level ground.
- Do not touch hot engine parts.
- Perform maintenance work only with the engine shut down.

#### Environment

**During maintenance work catch all oils and fuels and do not let them seep into the ground or into the sewage system. Dispose of oils and fuels environmentally.**

**Keep used filters in a separate waste container and dispose of environmentally.**

- Open the hood to perform maintenance work.

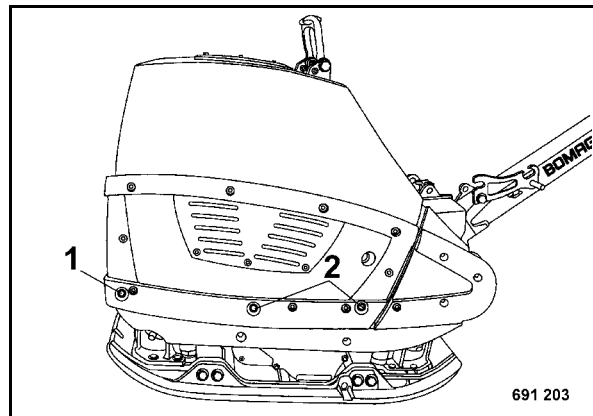


Fig. 38

- Loosen the hood fasteners (1) on both sides and remove the fasteners (2) from both sides (Fig. 38).
- Fold the hood back.

#### Notes on the fuel system

The lifetime of the diesel engine depends to a great extent on the cleanliness of the fuel.

- Keep fuel free of contaminants and water, since this will damage the injection elements of the engine.
- Drums with inside zinc lining are not suitable to store fuel.
- The fuel drum must rest for a longer period of time before drawing off fuel.
- Under no circumstances must the drum be rolled to the tapping point just before drawing out fuel.
- When choosing the storage place for fuel make sure that spilled fuel will not harm the environment.
- Do not let the hose stir up the slurry at the bottom of the drum.
- Do not draw off fuel from near the bottom of the drum.
- Fuel residues in the drum are not suitable for the engine.

#### Notes on the performance of the engine

On diesel engines both combustion air and fuel injection quantities are thoroughly adapted to each

other and determine power, temperature level and exhaust gas quality of the engine.

If your engine has to work permanently in "thin air" (at higher altitudes) and under full load, you should consult our customer service or the customer service of the engine manufacturer.

### Frequent causes of faults

- Operating errors
- Incorrect, inadequate maintenance

If you cannot locate the cause of a fault or rectify it yourself by following the trouble shooting chart, you should contact our customer service department.

## 6.2 Fuels and lubricants

### Engine oil

#### Oil viscosity

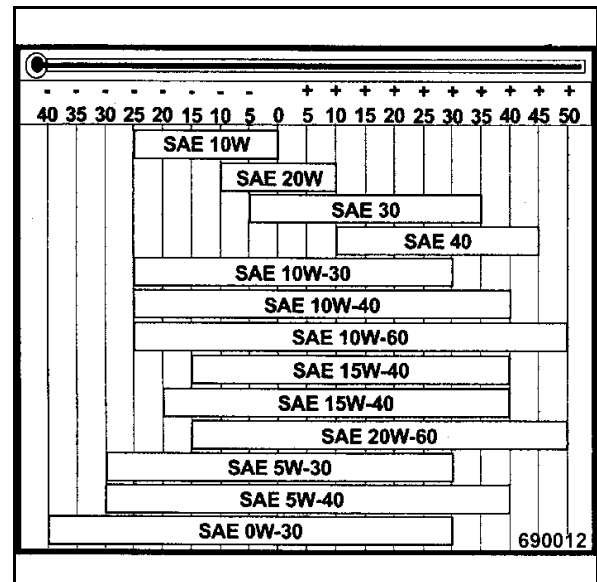


Fig. 39

Choose the oil viscosity in dependence on the ambient temperature at the operating location of the engine (see diagram).

Occasional falling short of the temperature limit (e.g. use of SAE 15W/40 down to  $-15^{\circ}\text{C}$  ( $+5^{\circ}\text{F}$ )) may effect the cold starting ability of the engine, but will not cause any engine damage.

Temperature related lubrication oil changes can be avoided by using multi-purpose oils. The following oil change intervals apply also when using multi-purpose oils.

#### Oil quality

Use oils of the following quality classes:

- API: CF-4/CG-4
- ACEA: B2/E2
- MIL-L46152 D/E

#### Lubrication oil change intervals

Annually or every 250 operating hours

### Fuel

#### Quality

You should only use commercially available brand diesel fuel and ensure strict cleanliness when filling in.

Since this engine complies with the exhaust gas standard acc. to EPA<sup>1</sup> Stage "TIER 4", the use of ultra-low sulphur diesel fuel is mandatory, if the engine is operated within an area where compliance with EPA is required.

The fuel provision should always be topped up in due time, so that the tank will not run dry.

The following fuel specifications are permitted:

- EN 590
- ASTM D 975 1-D and 2-D

#### Winter fuel

For winter operation use only winter diesel fuel, to avoid clogging because of paraffin separation. At very low temperatures disturbing paraffin separation can also be expected when using winter diesel fuel.

#### Mineral oil based hydraulic oil

The hydraulic system is operated with hydraulic oil HV 32 (ISO) with a kinematic viscosity of 32 mm<sup>2</sup>/s at 40°C (104 °F).

For topping up or for oil changes use only high-quality hydraulic oil, type HVLP according to DIN 51524, part 3, or hydraulic oils type HV according to ISO 6743/3. The viscosity index (VI) should be at least 150 (observe information of manufacturer).

<sup>1</sup> United States Environmental Protection Agency

### 6.3 Table of fuels and lubricants


Assembly	Fuel or lubricant		Quantity  <b>Attention!</b> <b>Observe the level marks</b>
	Summer	Winter	
Motor - Engine oil	Specification see "Fuels and lubricants - engine oil"		approx. 1.5 l (0.4 gal us) up to oil level mark
	SAE 15W-40 (-15 °C to +40 °C) (+5 °F to +104 °F)  SAE 30 (-5 °C to +35 °C) (+23 °F to +95 °F)  SAE 40 (+10 °C to +45 °C) (+50 °F to +113 °F)	SAE 10W (-25 °C to 0 °C) (-13 °F to +32 °F)  SAE 20 (-10 °C to +10 °C) (+14 °F to +50 °F)	
- Fuel	Diesel	Winter diesel fuel (down to -12 °C) (+10.4 °F)	approx. 5.0 l (1.3 gal us)
Vibrator shaft housing	as engine oil		approx. 0.45 l (0.12 gal us)
Steering rod	Hydraulic oil: HV 32		approx. 0.40 l (0.11 gal us)

---

## 6.4 Running-in instructions

---

The following maintenance work must be performed when running in new machines or overhauled engines:

 **Caution**

During the running-in period, up to approx. 200 operating hours, check the engine oil level twice every day.

Depending on the load the engine is subjected to, the oil consumption will drop to the normal level after approx. 100 to 200 operating hours.

**After approx. 50 operating hours**

- Change the engine oil.
- Check engine and machine for leaks.
- Retighten the fastening screws on air filter exhaust, fuel tank and other attachments.
- Retighten the bolted connections on the machine.
- Check the vibration drive V-belts.
- Check the oil level in the vibrator housing.



## 6.5 Maintenance table

No.	Maintenance work	Comment	daily	monthly	half-annually	annually	as required
6.6	Clean the machine		X				
6.7	Check the engine oil level	Dipstick mark	X				
6.8	Check the fuel level		X				
6.9	Check, clean the air filter, replace if necessary	replace at least 1 x year	X				
6.10	Clean the cooling fins and the cooling air intake openings			X			
6.11	Drain the sludge from the fuel tank			X			
6.12	Check condition of battery				X		
6.13	Check the oil level in the exciter housing				X		
6.14	Check the V-belt tension, if necessary replace the V-belt				X		
6.15	Change engine oil and oil filter	at least every 250 operating hours				X	
6.16	Replace the fuel filter					X	
6.17	Change the oil in the exciter housing	at least every 500 operating hours				X	
6.18	Check the hydraulic oil level					X	
6.19	Check the rubber buffers					X	
6.20	Tighten all bolted connections						X
6.21	Engine conservation						X



## 6.6 Clean the machine

### Caution

Perform cleaning work only after the engine has cooled down and with the engine stopped.

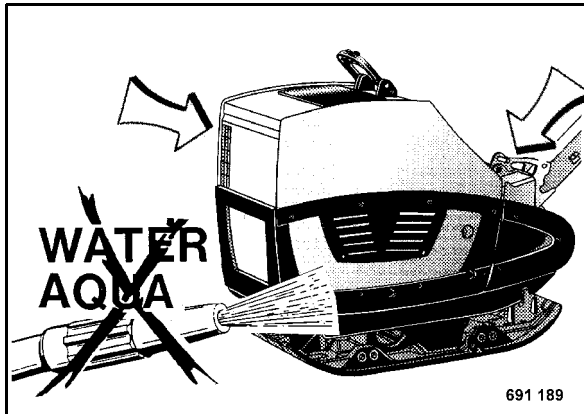


Fig. 40

### Caution

Do not guide the water jet directly into the dry air filter intake opening (Fig. 40) and into the opening for the crank handle. Cover the electric equipment against the direct water jet.

- After wet cleaning run the engine warm to evaporate all water residues and to avoid corrosion.

## 6.7 Check the engine oil level

### Caution

Park the machine on level ground so that the engine is in horizontal position.

For quality of oil refer to the "table of fuels and lubricants".

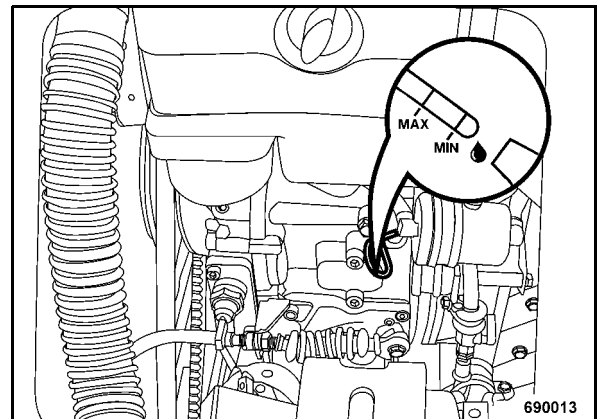


Fig. 41

- Shut down the engine.
- Open the rear rubber cover.
- Pull the dipstick (Fig. 41) out, wipe it off with a lint-free, clean cloth and reinsert it until it bottoms.
- Pull out the oil dipstick again and read the oil level.
- The oil level should reach the upper mark on the dipstick. If the oil level is too low top up oil immediately.
- After a running time of approx. one minute shut the engine down, wait until all oil has run back into the oil sump, check the oil level.

## 6.8 Check the fuel level

### ⚠ Danger

Fire hazard!

When working on the fuel system do not use open fire, do not smoke, do not spill any fuel.

Do not refuel in closed rooms.

Shut down the engine.

### ⚠ Danger

Health hazard!

Do not inhale any fuel fumes.

### ♻ Environment

Catch running out fuel, do not let it seep into the ground.

- Open the opper rubber cover.

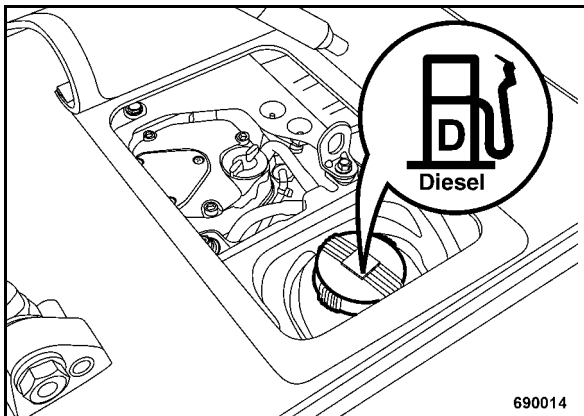


Fig. 42

- Clean the area around the filler opening.
- Open the filler cap on the fuel tank (Fig. 42) and check the fuel level visually.

### ⚠ Caution

Contaminated fuel can cause malfunction or even damage of the engine.

For quality and quantity of fuel refer to the "table of fuels and lubricants".

- If necessary, fill in fuel through a funnel with screen filter.

- Close the fuel tank tightly.

## 6.9 Check, clean the air filter, replace if necessary

### ⚠ Caution

Do not use gasoline or hot fluids to clean the air filter.

Do not continue to use a damaged air filter element. If in doubt use a new air filter.

The air filter must be changed after several times cleaning, but at the latest after one year.

Each cleaning interval must be marked with a cross on the cover of the air filter.

Cleaning does not make sense if the air filter element is covered with a sooty deposit. Use a new air filter.

Incorrectly handled air filters may become ineffective because of damage (e.g. cracks) and cause damage to the engine.

In case of wet or oily dirt replace the filter element.

### i Note

Under extremely dusty conditions it may be necessary to clean several times a day.

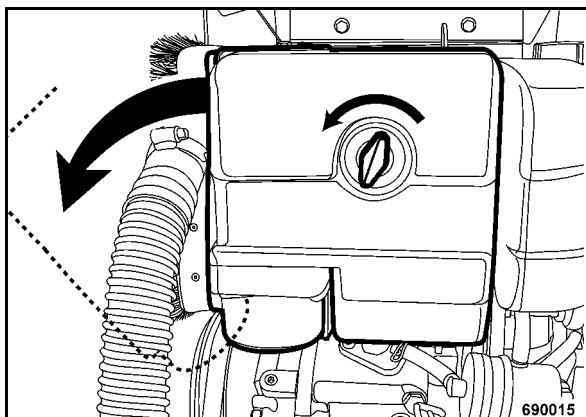


Fig. 43

- Unscrew the wing nut and remove the housing cover (Fig. 43).
- Clean the housing cover from inside.

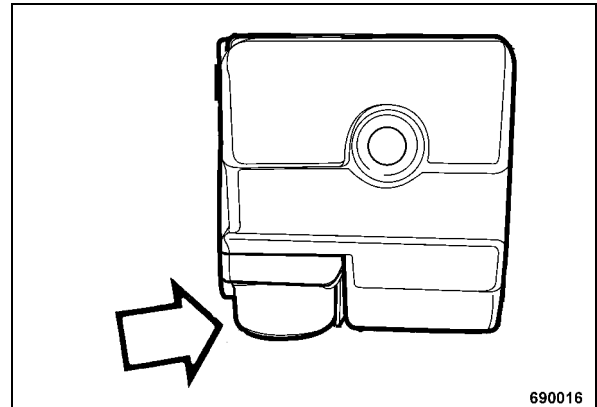


Fig. 44

- Check the pre-filter in the housing cover for dirt or blockage, clean if necessary (Fig. 44).

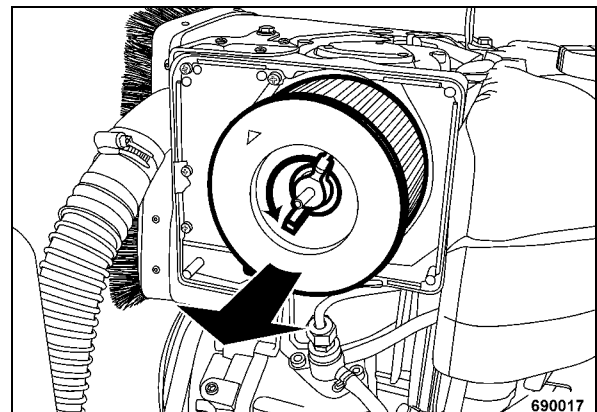


Fig. 45

- Unscrew the wing nut and pull the air filter out (Fig. 45).

## Maintenance every day

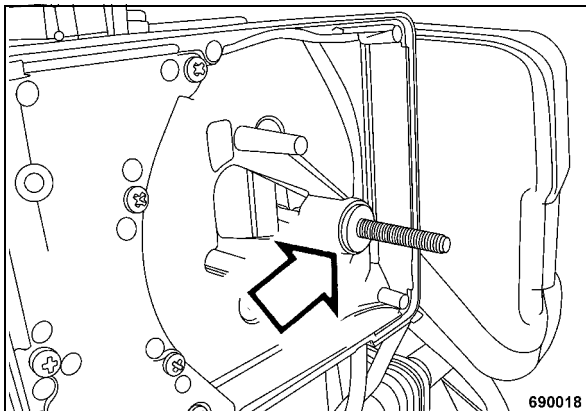


Fig. 46

### **⚠ Caution**

**Contaminants or dirt must not enter into the intake channel.**

- Check the rubber seal, if necessary replace the damaged rubber seal (Fig. 46).
- Clean out the air filter housing with a cloth.

### **⚠ Danger**

**Danger of injury!**

**Always wear protective clothes (goggles, gloves) when working with compressed air.**

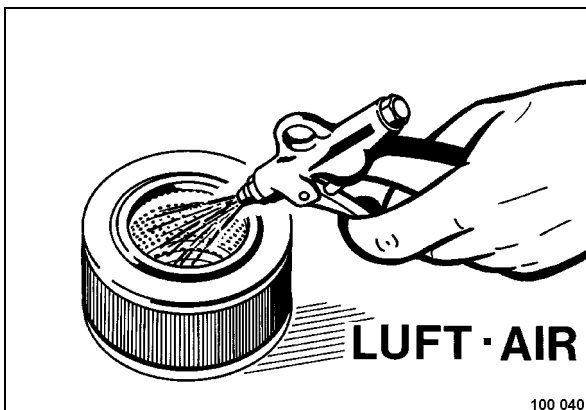


Fig. 47

- Blow the air filter out from inside to outside with dry compressed air (max. 5 bar (72 psi)) (Fig. 47).
- Check the air filter for damage, replace if necessary.
- Insert the air filter correctly and tighten the wing nut.

### **⚠ Caution**

**If the air filter is not correctly inserted, dust and foreign particles can enter into the air intake channel.**

- Fasten the housing cover with the wing nut.

## 6.10 Clean the cooling fins and the cooling air intake openings

**⚠ Danger**

**Danger of injury!**

Always wear protective clothes (goggles, gloves) when working with compressed air.

**⚠ Caution**

Dirty operating conditions, particularly lubrication oil and fuel deposits on the cooling fins of the engine and the cooling air intake opening have an adverse effect on the cooling of the engine.

You should therefore immediately seal any oil or fuel leaks near fuel tank, cylinder or cooling air intake.

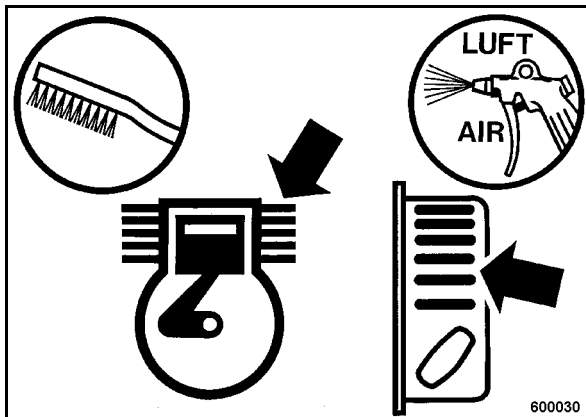


Fig. 48

- Loosen dried on dirt with a suitable brush (Fig. 48) from all cooling fins and cooling air intake openings and blow it off with compressed air .

**⚠ Danger**

**Fire hazard!**

Do not use any inflammable solvents.

**⚠ Caution**

Do not guide the water jet directly into the cooling air openings of the recoil starter, into the air filter and on electrical equipment.

- On a oil contaminated engine use a cold cleansing agent for cleaning.
- After a sufficient soaking time clean off with a water or steam jet and blow out with compressed air.
- Run the engine warm for a while to avoid corrosion.

**⚠ Caution**

Look for the cause of oily contamination and have any leaks sealed by our customer service.

## 6.11 Drain the sludge from the fuel tank

**⚠ Danger**

Fire hazard!

When working on the fuel system do not use open fire, do not smoke, do not spill any fuel.

**⚠ Danger**

Health hazard!

Do not inhale any fuel fumes.

**♻ Environment**

Any fuel must be caught and disposed of in an environmentally friendly manner.

**i Note**

For this work the fuel tank should contain only a little quantity of fuel.

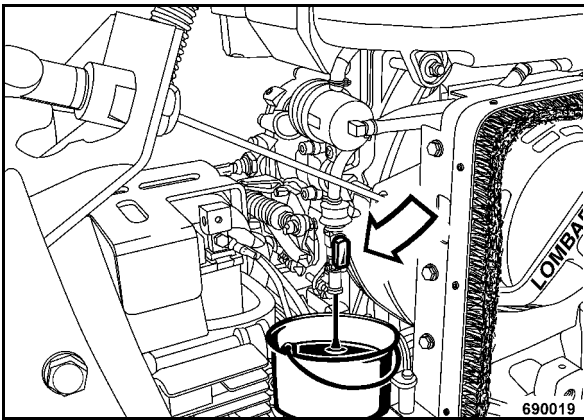


Fig. 49

- Open the drain cock (Fig. 49), drain off and catch the fuel.

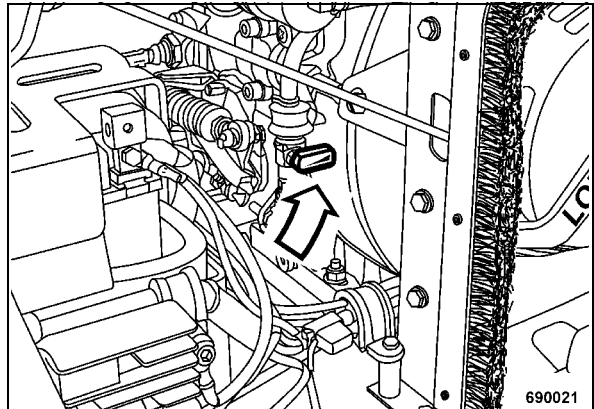


Fig. 50

- Close the drain cock after all fuel has run out (Fig. 50).



## 6.12 Check the battery condition, grease the poles

### **⚠ Danger**

**Danger of burning!**

**When working on the battery do not use open fire, do not smoke!**

**Do not let acid come in contact with skin or clothes!**

**Wear safety goggles!**

**Do not lay any tools on the battery!**

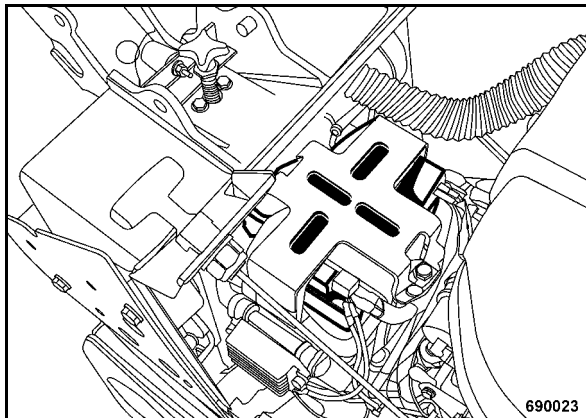


Fig. 51

- Unscrew the battery holder (Fig. 51).
- Remove the vibration damper mat.

### **Non-maintenance free batteries:**

- Clean battery and battery compartment.
- Open plugs and check the acid level.

### **With control inserts:**

- Check whether the acid level reaches the bottom end of the control inserts.

### **With transparent battery housing:**

- Check whether the acid level reaches the level mark on the housing.

### **Maintenance free batteries:**

- Clean the battery

- Grease the poles
- Tighten the terminal clamps

### **Environment**

**Dispose of the old batteries environmentally.**

### **⚠ Danger**

**Development of gas!**

**For recharging remove the plugs from the battery to avoid the accumulation of highly explosive gases.**

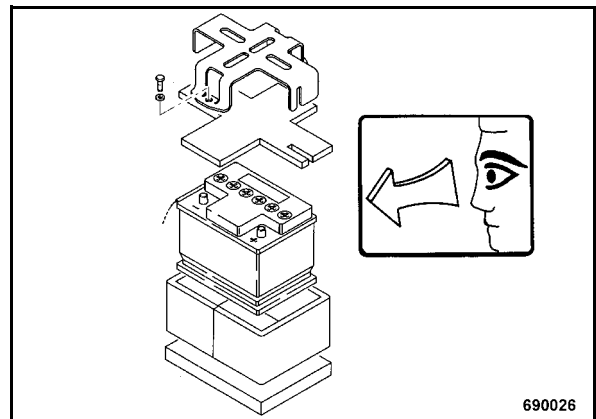


Fig. 52

- Clean the condition of the vibration insulation mats, replace if necessary (Fig. 52).
- Retighten the battery holder.

### 6.13 Check the oil level in the exciter housing

**⚠ Caution**

Park the machine on level ground.

- Clean the area around breather and drain plug.

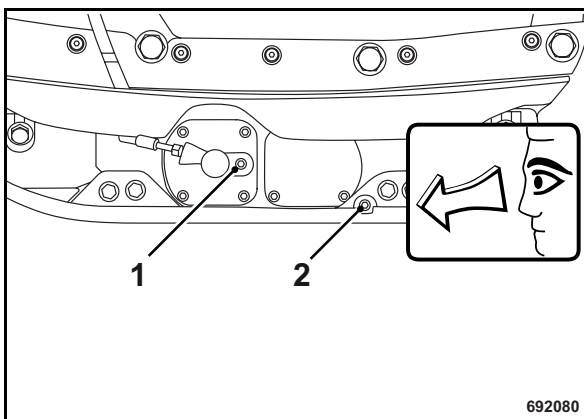


Fig. 53

- Unscrew the bleeder screw (1) (Fig. 53).
- Unscrew the oil level inspection plug (2) and check the oil level.
- The oil level must reach the bottom edge of the inspection opening, if necessary fill in oil.

**For quality of oil refer to the "table of fuels and lubricants".**

- Clean the oil level inspection plug and screw in with sealing agent (e.g. BOMAG 009 700 16).
- Screw the bleeder screw back in.

### 6.14 Check the V-belt tension, if necessary replace the V-belt

#### Checking the V-belt

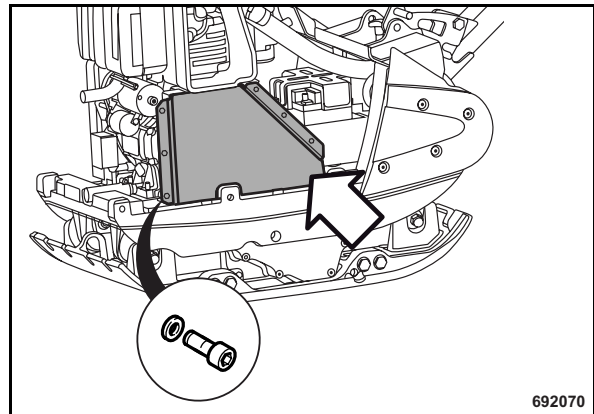


Fig. 54

- Remove the V-belt guard (Fig. 54).

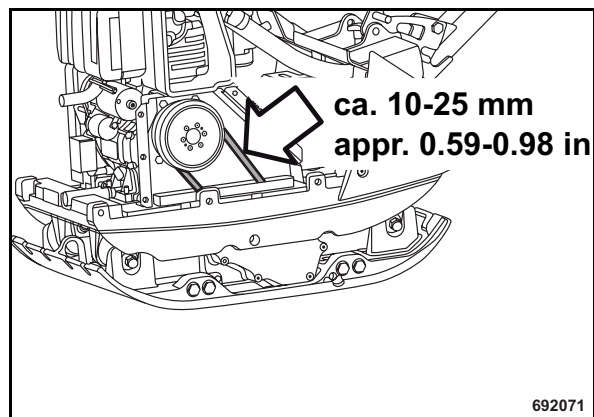


Fig. 55

- Check condition and tightness of V-belt (Fig. 55).

**i Note**

*Compression measurement: approx. 10 to 25 mm (0.59 to 0.98 in)*

**⚠ Caution**

Replace a damaged V-belt.

The V-belt cannot be tightened manually. Always replace the V-belt, if the compression measurement is exceeded.

**Replacing the V-belt**

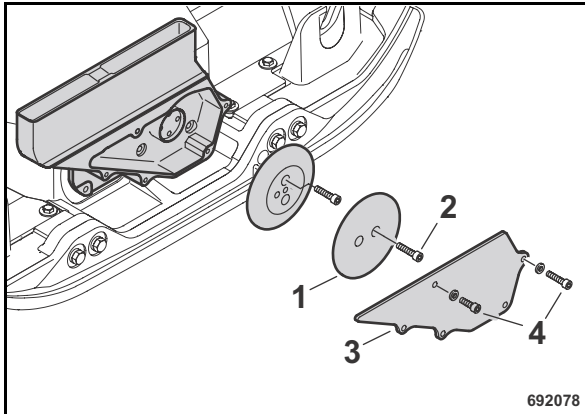


Fig. 56

- Remove the safety cover (3) (Fig. 56).
- Loosen screw (2).
- Remove the front disc (1) from the centrifugal clutch.
- Take off the V-belt and replace it by a new one.
- Attach the front disc (1).
- Tighten the screws (2).
- Reinstall the protective cover (3) and tighten the screws (4) (tightening torque 15 Nm (11 ft.lbs)).
- Install the top V-belt guard (Fig. 54).



## 6.15 Change engine oil and oil filter

### **⚠ Danger**

**Danger of scalding!**

**When draining off hot oil.**

**By hot oil when changing the engine oil filter.**

### **⚠ Caution**

**Park the machine on level ground.**

**Drain the engine oil only when the engine is warm.**

**For quality and quantity of oil refer to the "table of fuels and lubricants".**

### **♻ Environment**

**Catch running out oil and dispose of environmentally together with the oil filter.**

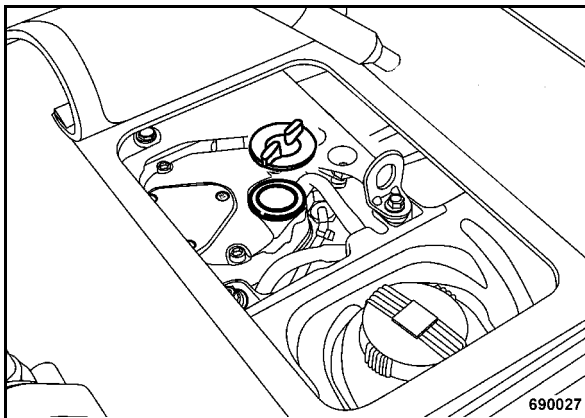


Fig. 57

- Unscrew the oil filler cap (Fig. 57).

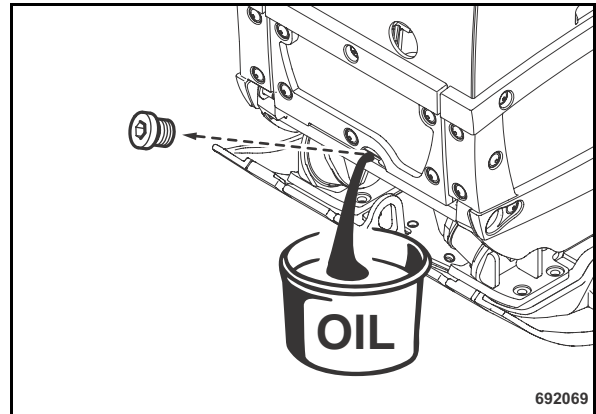


Fig. 58

- Clean the drain hose from dust and dirt.
- Unscrew the oil drain plug and catch any oil running out (Fig. 58).
- Clean the oil drain plug and screw it back in (tightening torque: 15 Nm (11 ft.lbs)).

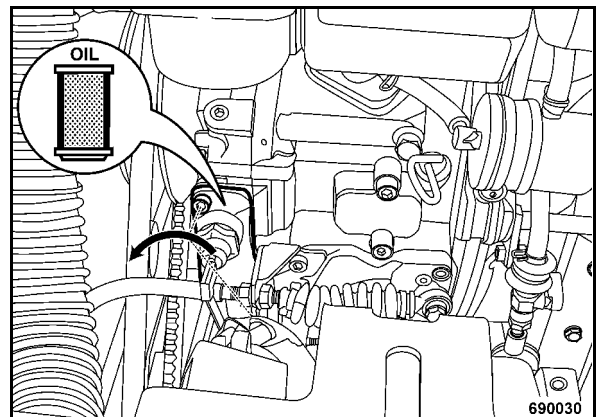


Fig. 59

- Clean the oil filter flange.
- Unscrew both screws and take off the oil filter flange (Fig. 59).
- Pull the oil filter out.
- Wipe the sealing face on the engine clean.
- Use a new filter cartridge.
- Check the seal on the oil filter flange, replace if necessary.
- Screw the oil filter flange in tightly.

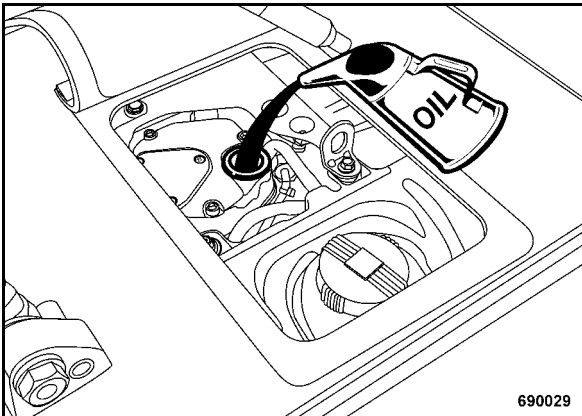


Fig. 60

- Fill in fresh engine oil through the filler opening (Fig. 60).
- Screw the oil filler cap back on.

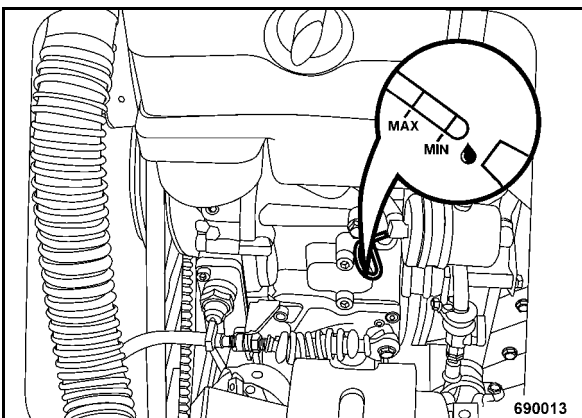


Fig. 61

- After a short test run check the oil level on the dipstick (Fig. 61), correct the oil level as necessary.

## 6.16 Replacing the fuel filter

### **⚠ Danger**

**Fire hazard!**

When working on the fuel system do not use open fire, do not smoke, do not spill any fuel.

### **⚠ Danger**

**Health hazard!**

**Do not inhale any fuel fumes.**

### **♻ Environment**

**Catch running out fuel and dispose of environmentally together with the fuel filter.**

### **i Note**

*In case of contamination drain off and catch the sludge from the fuel tank, flush out with clean diesel fuel.*

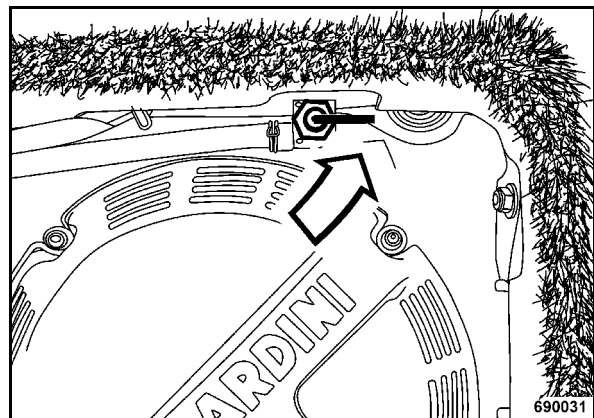


Fig. 62

- Close the fuel tap (Fig. 62), set the handle to horizontal position.

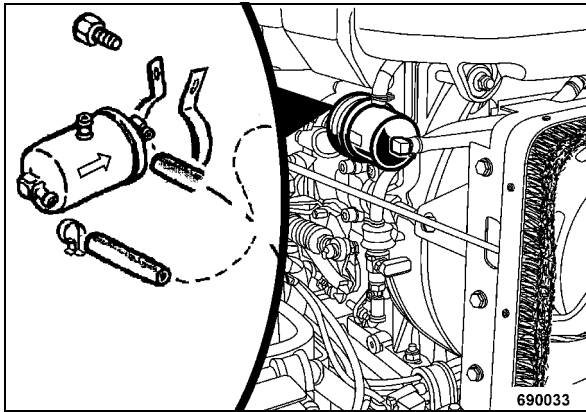


Fig. 63

- Loosen the hose clamps on the three fuel lines and pull the fuel lines off the fuel filter (Fig. 63).
- Remove the bracket and take off the fuel filter.

**i Note**

Mind the installation direction (arrow) when assembling the fuel filter.

- Install the new fuel filter, push on the fuel lines and fasten them with the hose clamps.

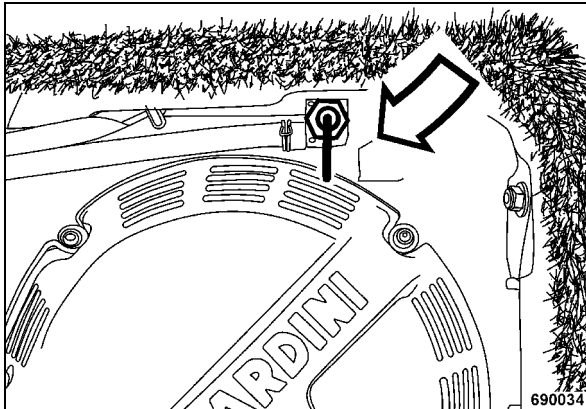


Fig. 64

- Open the fuel tap (Fig. 64), set the handle to vertical position.

## 6.17 Change the oil in the exciter housing

**⚠ Caution**

Park the machine on level ground.

For quality and quantity of oil refer to the "table of fuels and lubricants".

**♻ Environment**

Catch running out oil, do not let it seep into the ground and dispose off environmentally.

- Clean the area around breather and drain plug.

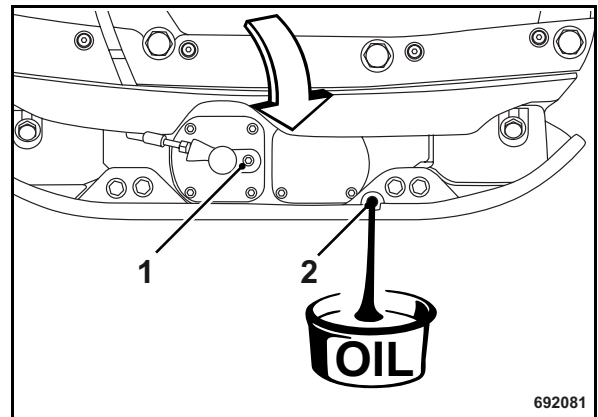


Fig. 65

- Unscrew ventilation (1) (Fig. 65) and level inspection plugs (2).
- Drain the oil through the inspection plug bore. For this purpose tilt the machine to the side with the oil drain opening and support it safely.

## Maintenance every year

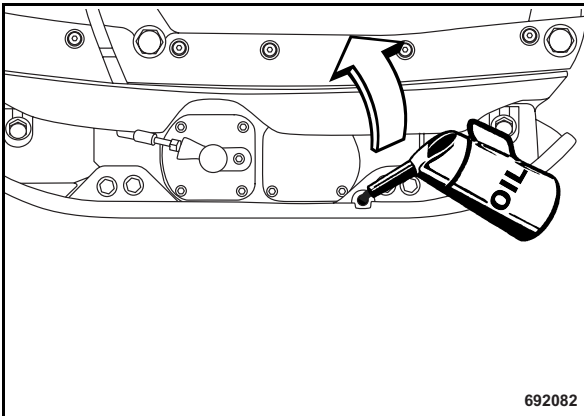


Fig. 66

- Tilt the machine to the opposite side and secure it properly.
- Fill in fresh oil through the level inspection opening (Fig. 66).

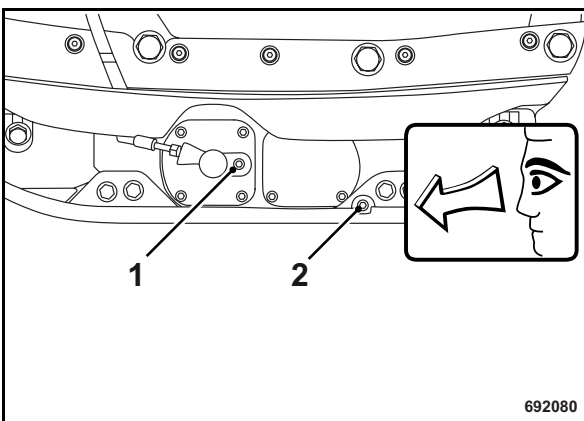


Fig. 67

- Stand the machine on level ground and check the oil level (Fig. 67).

The oil level must reach the bottom edge of the oil level inspection bore.

- Clean level plug (2) and screw in with sealing agent (e.g. BOMAG 009 700 16).
- Screw vent plug (1) tightly back in.

## 6.18 Check the hydraulic oil level

### ⚠ Caution

Park the machine horizontally.

### ♻ Environment

Catch running out oil, do not let it seep into the ground and dispose off environmentally.

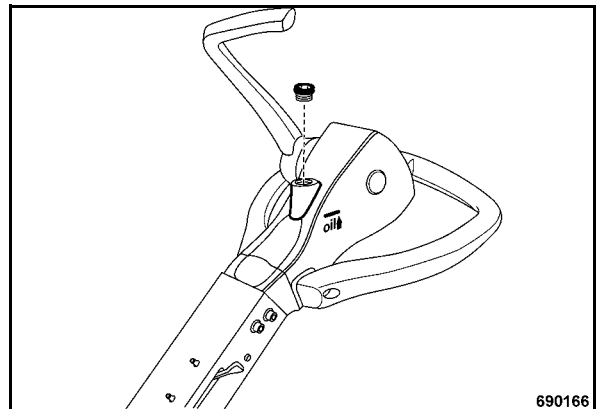


Fig. 68

- Adjust the steering rod with height adjustment (Fig. 68) so that the area with the level inspection plugs is horizontal.
- Unscrew the plug.

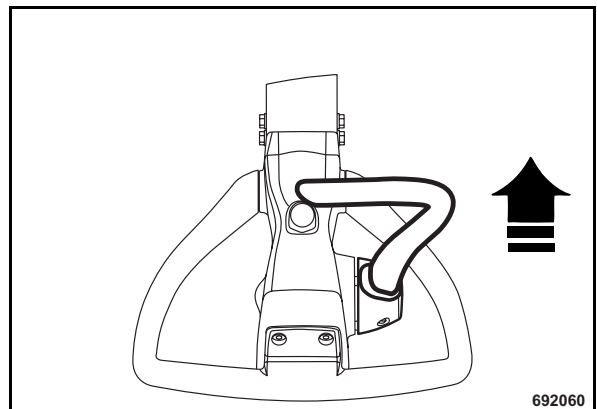


Fig. 69

- Hold the travel lever in forward position (Fig. 69).



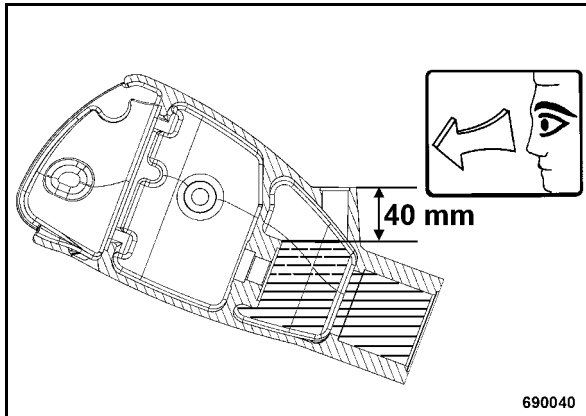


Fig. 70

- Check whether the hydraulic oil level is approx. 40 mm (1.6 in) below the filler opening (Fig. 70) (see also mark on steering rod head), top up hydraulic oil if necessary.

### Filling up hydraulic oil

For quality and quantity of oil refer to the "table of fuels and lubricants".

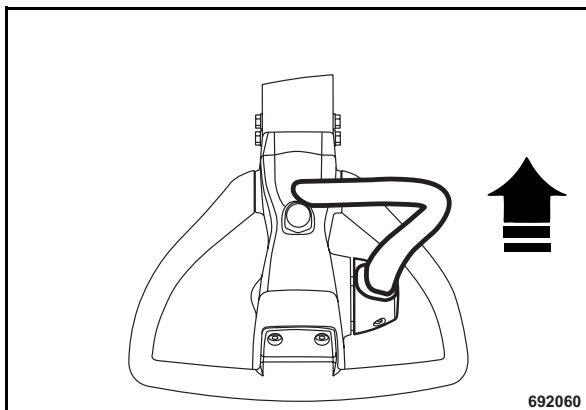


Fig. 71

- Shift the travel lever forward against the stop (Fig. 71).

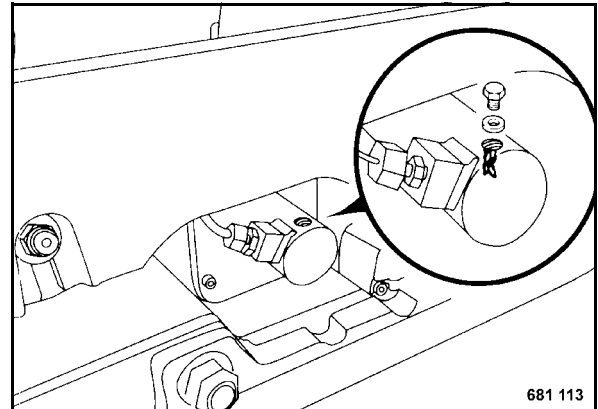


Fig. 72

#### **i** Note

*Lay a cloth down before loosening the venting screw.*

- Slacken the bleeding screw (Fig. 72).
- Wait until all air has escaped, then tighten the bleeding screw.

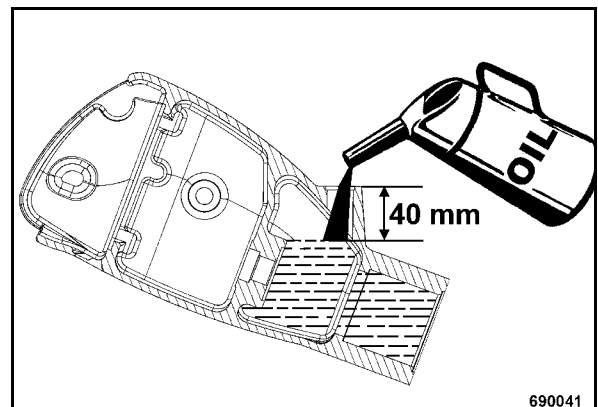


Fig. 73

- Fill in hydraulic oil to approx. 40 mm (1.6 in) below the edge of the filler opening (Fig. 73).

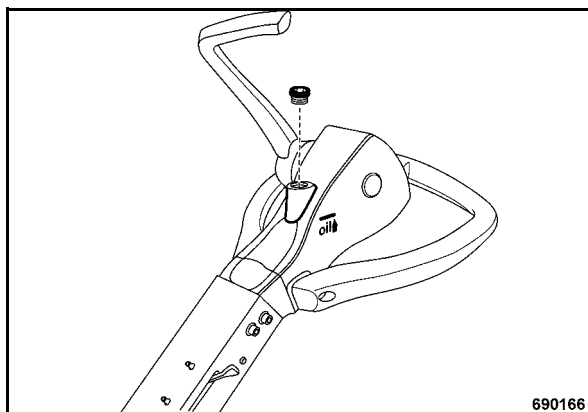


Fig. 74

- Screw in and tighten the plug (Fig. 74).

## 6.19 Check the rubber buffers

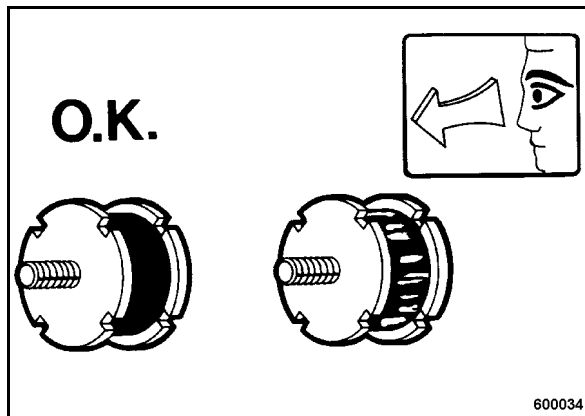


Fig. 75

- Check all rubber buffers (Fig. 75) for tight fit, cracks and damage and replace immediately if damaged.

## 6.20 Tightening the screws

### **i** Note

*Self locking nuts must always be replaced by new ones after they have been unscrewed.*

Bolt dimensions	Tightening torques* ft - lb		
	8.8	10.9	12.9
M4	2	3	4
M5	4	7	7
M6	7	11	13
M8	18	26	33
M10	37	55	61
M12	65	91	108
M14	101	145	173
M16	156	221	264
M18	213	303	361
M20	304	426	513
M22	413	559	695
M24	524	738	885
M27	774	1092	1308
M30	1047	1482	1770

Fig. 76

\*Strength classes for screws with untreated, non-lubricated surfaces. The quality designations are stamped on the screw heads.

8.8 = 8 G

10.9 = 10 K

12.9 = 12 K

The values result in a 90% utilization of the screw's yielding point at a coefficient of friction of  $\mu_{\text{total}} = 0.14$ .

The compliance with the tightening torques is to be checked with torque wrenches.

The tightening torques are not applicable when using MoS<sub>2</sub> lubricants.

## 6.21 Engine conservation

If the engine is to be shut down for a longer period of time (e.g. over winter), we recommend the following measures to avoid corrosion:

- Clean the engine: For this purpose use cold cleansing agent or, even better, a steam cleaner.
- Run the engine warm and shut it down.
- Drain the still warm engine oil and fill in anti-corrosion engine oil.
- Change the fuel filter.
- Drain the fuel from the fuel tank, mix it well with 10% anti-corrosion oil and fill it back in. Instead of mixing the fuel with anti-corrosion oil you may also fill the tank with injection pump testing oil with anti-corrosive properties (e.g. Calibration fluid B).
- Clean the air filter.
- Then run the engine for 10 minutes, so that lines, filter, pump and nozzles are filled with the conserving mixture and the new engine oil is distributed to all parts.
- Remove the injection nozzle, spray the seat with engine oil and reinstall the injection nozzle.
- Crank the engine several times to spray the combustion chamber (throttle lever in stop position).
- Take the V-belt off and spray the grooves of the V-belt pulleys with anti-corrosion oil. Remove the anti-corrosion oil before taking the machine back into service.
- Close air intake on air filter and exhaust opening tightly.
- Cover the engine and stand it on a wooden pallet.

### **i** Note

*Depending on weather conditions these conservation measures will protect the machine for approx. 6 to 12 months.*

*Before taking the machine back into service you must drain off the conservation oil and replace it*

## As required

*with engine oil (see table of fuels and lubricants) according to API-(MIL-) classification.*

*Anti-corrosion oils are all oils which comply with the specification MIL-L-21260 B or TL 9150-037/2 o Nato Code C640/642.*

 **Caution**

**A machine with conserved engine must be clearly marked by attaching a clear warning tag.**

---

## **7 Trouble shooting**

---

### 7.1 General notes

Please observe strictly the safety regulations in the corresponding section of these operating and maintenance instructions.

Malfunctions are frequently caused by incorrect operation of the machine or insufficient maintenance. Whenever a fault occurs you should therefore thoroughly read these instruction on correct operation and maintenance.

If you cannot locate the cause of a fault or rectify it yourself by following the trouble shooting chart, you should contact our customer service department.

### 7.2 Starting with jump wires

#### **i** Note

Choose this type of starting if the starter battery is flat and the machine cannot be started manually with the recoil starter.

#### **⚠** Caution

**A wrong connection will cause severe damage in the electric system.**

**The auxiliary battery must have the same voltage as the starter battery.**

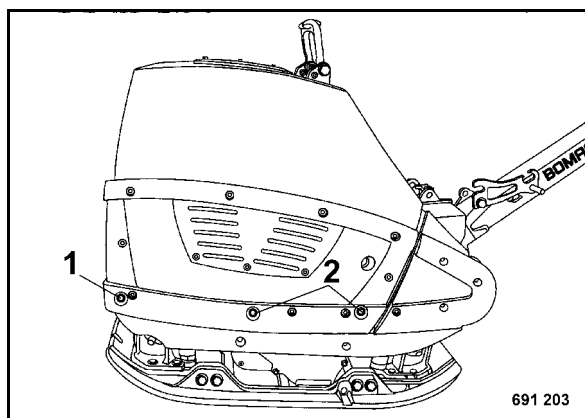


Fig. 77

- Loosen the hood fasteners (1) on both sides and remove the fasteners (2) from both sides (Fig. 77).
- Fold the hood back.
- Remove the battery holder and take off the vibration damping mat.
- Check insulation mats, brackets and screw connections, replace if necessary.

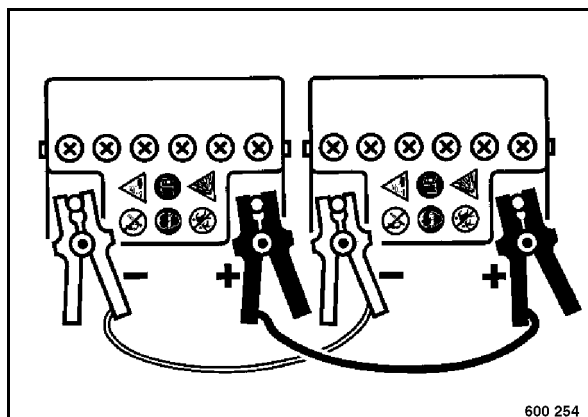


Fig. 78

- Join the plus poles on external battery and starter battery with the jump wire (Fig. 78).
- Use the second jump start cable to connect the negative poles on external battery and starter battery.
- Start the engine as described in the chapter "Starting the engine".
- When the engine is running remove the jump start cable from the two negative poles first and from the positive poles after.

**i Note**

*This work sequence is necessary to avoid short circuit caused by contact between positive and negative cables.*

- Close the hood again and fasten it with bolts.

### 7.3 Fuses

**⚠ Danger**

**Fire hazard!**

**Do not use fuses with higher ampere ratings and do not bridge fuses.**

**⚠ Caution**

**Always cover the fuse with the protective cover.**

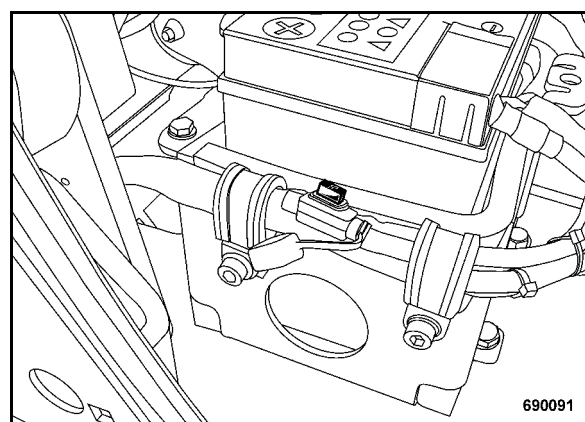


Fig. 79

**Fuse (25 A) (Fig. 79).**

**⚠ Caution**

**Machines with Economizer<sup>1</sup> are protected by an additional fuse (5 A).**

<sup>1</sup> Optional equipment

### 7.4 Engine problems

Fault	Possible cause	Remedy
<p>Engine does not start or does not start immediately, but can be cranked with the starter motor</p>	<p>Throttle lever in stop or idle speed position.</p> <p>No fuel at the injection pump.</p> <p>Insufficient compression - incorrect valve clearance - Wear on cylinder or piston rings</p> <p>Injection nozzle out of order</p>	<p>Set the lever to "Start" position.</p> <p>Fill in fuel</p> <p>Check the entire fuel system systematically.</p> <p>Check, adjust the valve clearance.</p> <p>Have examined by a specialist.</p> <p>Have examined by a specialist.</p>
<p>Additionally on engines with mechanical oil pressure monitoring</p>	<p>No oil pressure</p>	<p>Check the oil level.</p> <p>Activate mechanical oil pressure monitoring</p>
<p>With low temperatures</p>	<p>Temperature below starting limit.</p> <p>Fuel gelled because of insufficient cold compatibility.</p> <p>Starter speed too low: - Oil with too high viscosity - Insufficiently charged battery</p>	<p>Observe cold start instructions.</p> <p>Pull the fuel hose off the fuel lift pump and check whether fuel runs out of the fuel pump clear and without gel. In case of gelled fuel you should either warm the engine up or drain the complete fuel supply system. Fill with a temperature resistant fuel mixture.</p> <p>Replace engine oil with oil of correct viscosity</p> <p>Check the battery, if necessary consult a specialist workshop</p>
<p>The starter is not switched on or the engine does not crank</p>	<p>Fault in the electric system: - Fuse defective - Battery or other cable connections not correctly connected. - Cable terminals loose or oxidised - Battery defective or not charged - Starter defective - Insufficiently charged battery</p>	<p>Check electric equipment and related components or consult the our customer service.</p>



Fault	Possible cause	Remedy
Engine ignites, but does not continue to run when switching the starter motor off.	Fuel filter clogged. Fuel supply interrupted. Stop signal from monitoring elements connected with the oil pressure monitoring facility: - no oil pressure	Replace the fuel filter. Check the entire fuel system systematically. Check the oil level.
Engine shuts down by itself during operation	Tank empty. Fuel filter clogged. The mechanical oil pressure monitoring shuts the engine down because of a lack of oil Mechanical defects.	Fill in fuel. Replace the fuel filter. Check the oil level, activate the oil pressure monitoring system.
Engine loses power and speed	Fuel supply restricted: - Tank empty - Fuel filter clogged - Insufficient tank ventilation - Line connections leaking Throttle lever does not stay in selected position. Too much oil in crankcase.	Fill in fuel, activate the mechanical oil pressure monitoring system. Replace the fuel filter. Ensure sufficient ventilation of the tank. Check line connections for leaks. Block the throttle control. Drain off oil.
Engine loses power and speed, black exhaust smoke	Air filter dirty. Incorrect valve clearance. Injection nozzle out of order	Clean or replace the air filter. Adjust the valve clearance. Have examined by a specialist.
Engine overheating	Too much oil in engine. Insufficient cooling: - Dirt in the entire area of the cooling air flow - Air guide plates not completely closed.	Drain the engine oil down to the top mark on the dipstick. Clean the cooling air area. Check air guide plates for completeness and good sealing

## 7.5 Trouble shooting Econo- mizer

<b>Fault</b>	<b>Description</b>	<b>Possible cause</b>
Status-LED off	Operation	
Status-LED on	no frequency detected	Engine not running Plug-in connector defective Sensor/cable defective
Status-LED flashing	Frequency detected, but outside permissible range	Engine speed too low Vibration frequency too low  Sensor defective  atypical soil V-belt slipping incorrect V-belt installed

---

## **8 Disposal**

---

### 8.1 Final shut-down of machine

If the machine can no longer be used and needs to be finally shut down you must carry out the following work and have the machine disassembled by an officially recognized specialist workshop.

#### **Danger**

**Danger of cauterisation ! Danger of explosion!**

**When working on the battery do not use open fire, do not smoke!**

**The battery contains acid. Do not let acid come in contact with skin or clothes!**

**Wear protective clothing!**

- Remove the batteries and dispose of in compliance with legal regulations.

#### **Environment**

**Catch all fuels and lubricants, do not let them seep into the ground and dispose of in compliance with legal regulations.**

- Empty the fuel tank.
- Drain lubrication oil from engine and exciter housing.
- Drain off hydraulic oil.

#### **Danger**

**Danger of explosion!**

**Parts that previously contained combustible fluids must not be cut with a cutting torch.**

## We will help you - immediately!

Operating, maintenance, repair instructions and  
spare parts catalogues



### - in situ:

- Safe and simple trouble shooting
- Secure access to required spare parts
- Easy to understand – from experts for users

Contact us or your BOMAG distributor!

Head Office/Hauptsitz  
BOMAG  
Hellerwald  
D-56154 Boppard  
Germany  
Telefon: +49 6742 100-0  
Fax: +49 6742 3090  
E-Mail: [info@bomag.com](mailto:info@bomag.com)



**BOMAG**  
FAYAT GROUP

BOMAG  
Niederlassung Berlin  
Gewerbestraße 3  
15366 Hoppegarten  
GERMANY  
Tel.: +49 3342 369410  
Fax: +49 3342 369436  
e-mail: [nlberlin@bomag.com.de](mailto:nlberlin@bomag.com.de)

BOMAG  
Niederlassung Boppard  
Hellerwald  
56154 Boppard  
GERMANY  
Tel.: +49 6742 100360  
Fax: +49 6742 100392  
e-mail: [nlboppard@bomag.com](mailto:nlboppard@bomag.com)

BOMAG  
Niederlassung Chemnitz  
Querstraße 6  
09247 Chemnitz  
GERMANY  
Tel.: +49 3722 51590  
Fax: +49 3722 515951  
e-mail: [nlchemnitz@bomag.com](mailto:nlchemnitz@bomag.com)

BOMAG  
Niederlassung Hannover  
Dieselstraße 44  
30827 Garbsen-Berenbostel  
GERMANY  
Tel.: +49 5131 70060  
e-mail: [nlhannover@bomag.de](mailto:nlhannover@bomag.de)

BOMAG  
Niederlassung München  
Otto-Hahn-Ring 3  
85301 Schweitenkirchen  
GERMANY  
Tel.: +49 8444 91840  
e-mail: [nlmuenchen@bomag.de](mailto:nlmuenchen@bomag.de)

BOMAG  
Niederlassung Stuttgart  
Uferstraße 22  
73630 Remshalden-Grünbach  
GERMANY  
Tel.: +49 7151 986293  
e-mail: [nlstuttgart@bomag.de](mailto:nlstuttgart@bomag.de)

BOMAG (China) Construction  
Machinery Co., Ltd  
No. 2808, west Huancheng Road,  
Shanghai Comprehensive Industrial  
Zone Fengxian Shanghai 201401  
CHINA  
Tel.: +86 21 3365 5566  
Fax: +86 21 3365 5508  
e-mail: [china@bomag.com](mailto:china@bomag.com)

BOMAG France S.A.S.  
2, avenue du Général de Gaulle  
91170 VIRY-CHATILLON  
FRANCE  
Tel.: +33 1 69578600  
Fax: +33 1 69962660  
e-mail: [france@bomag.com](mailto:france@bomag.com)

BOMAG (GREAT BRITAIN), LTD  
Sheldon Way, Larkfield  
Aylesford  
Kent ME20 6SE  
GREAT BRITAIN  
Tel.: +44 1622 716611  
Fax: +44 1622 710233  
e-mail: [gb@bomag.com](mailto:gb@bomag.com)

BOMAG Italia Srl.  
Via Roma 50  
48011 Alfonsine  
ITALY  
Tel.: +39 0544 864235  
Fax: +39 0544 864367  
e-mail: [italy@bomag.com](mailto:italy@bomag.com)

BOMAG (CANADA), INC.  
3455 Semenyk Court  
Mississauga, Ontario  
CANADA  
Tel.: +1 905 361 9961  
Fax: +1 905 361 9962  
e-mail: [canada@bomag.com](mailto:canada@bomag.com)

BOMAG Maschinenhandelsgesellschaft  
m.b.H.  
Porschestraße 9  
1230 Wien  
Tel.: +43 1 69040-0  
Fax: +43 1 69040-20  
e-mail: [austria@bomag.com](mailto:austria@bomag.com)

FAYAT BOMAG Polska Sp. z.o.o.  
Ul. Szyszkowa 52  
02-285 Warszawa  
POLAND  
Tel.: +48 22 4820400  
Fax: +48 22 4820401  
e-mail: [poland@bomag.com](mailto:poland@bomag.com)

FAYAT BOMAG Rus OOO  
Klyazma block, h 1-g  
141400 Khimki, Moscow region, RF  
RUSSIA  
Tel.: +7 (495) 2879290  
Fax: +7 (495) 2879291  
e-mail: [russia@bomag.com](mailto:russia@bomag.com)

BOMAG GmbH, Singapore  
300, Beach Road  
The Concourse, , 18-06  
Singapore 199555  
SINGAPORE  
Tel.: +65 294 1277  
Fax: +65 294 1377  
e-mail: [singapore@bomag.com](mailto:singapore@bomag.com)

BOMA Equipment Hong Kong LTD  
Room 1003, 10/F Charm Centre  
700, Castle Peak Road  
Kowloon,  
HONG KONG  
Tel.: +852 2721 6363  
Fax: +852 2721 3212  
e-mail: [bomahk@bomag.com](mailto:bomahk@bomag.com)

BOMAG Americas, Inc.  
2000 Kentville Road  
Kewanee, Illinois 61443  
U.S.A.  
Tel.: +1 309 8533571  
Fax: +1 309 8520350  
e-mail: [usa@bomag.com](mailto:usa@bomag.com)

**Printed in Germany**