



D 600 AP D 600 APG

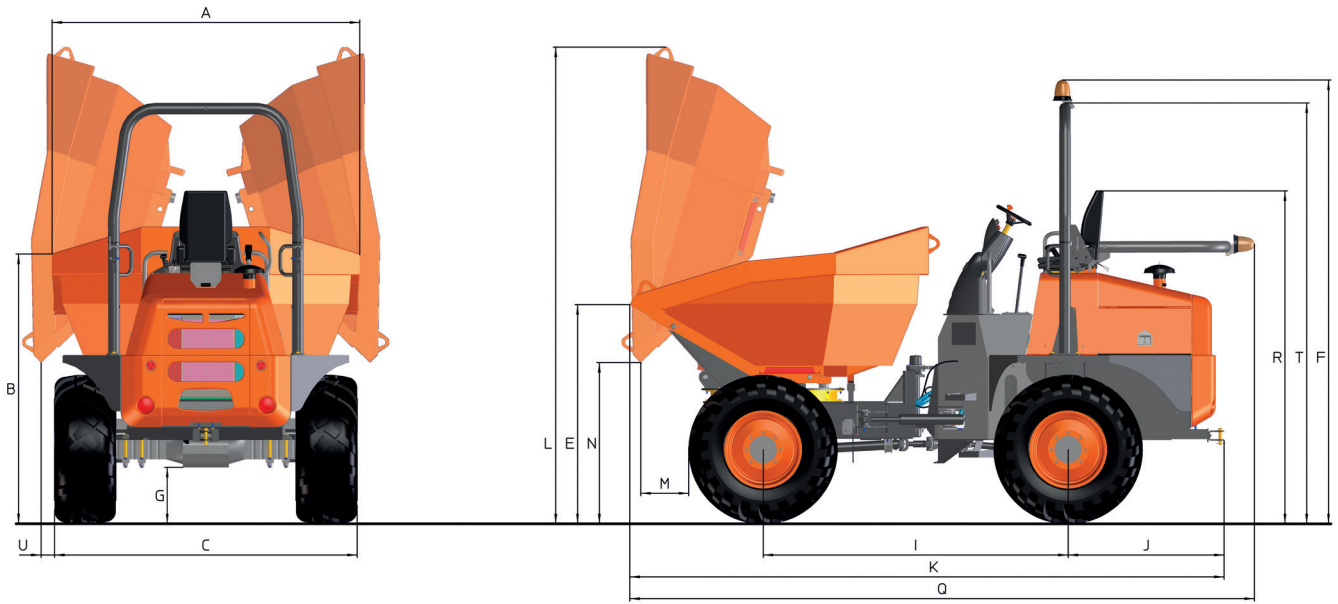


TECHNICAL DATA

GENERAL		D 600 AP M6413 / M6412*	D 600 AP PLUS M6411 / M6410	D 600 APG M6403 / M6402*	D 600 APG PLUS M6401 / M6400
Unloading system		Frontal	Frontal	Rotating	Rotating
Load capacity	Kg	6000	6000	6000	6000
Chassis		Articulated and oscillating	Articulated and oscillating	Articulated and oscillating	Articulated and oscillating
Water hopper capacity	l	1950	1950	1565	1565
Level hopper capacity	l	2650	2650	2360	2360
Heaped hopper capacity	l	3290	3290	3130	3130
Empty weight	Kg	4200	4200	4380	4380
Transmission		Torque converter	Torque converter	Torque converter	Torque converter
ENGINE					
Brand		DEUTZ / KUBOTA*	DEUTZ / KUBOTA	DEUTZ / KUBOTA*	DEUTZ / KUBOTA
Model		TD3.6 L4 / V3600-TE3B	TD3.6 L4 / V3800CR-TE4B	TD3.6 L4 / V3600-TE3B	TD3.6 L4 / V3800CR-TE4B
Power	kW	55.4 / 63	55.4 / 83.5	55.4 / 63	55.4 / 83.5
Operating speed	rpm	2200 / 2600	2200 / 2600	2200 / 2600	2200 / 2600
Torque	Nm@rpm	330@1600 / 295@1600	330@1600 / 375@1500	330@1600 / 295@1600	330@1600 / 375@1500
No. of cylinders		4	4	4	4
Emissions		T4f, Stage IIIB / T3, Stage IIIA	T4f, Stage IIIB / T4i, Stage IIIB	T4f, Stage IIIB / T3, Stage IIIA	T4f, Stage IIIB / T4i, Stage IIIB
Noise	dB(A)	101	103	101	103
Consumption	l/h	13,7 / 15,8	13,7 / 17,5	13,7 / 15,8	13,7 / 17,5
CO ₂	Kg/h	36 / 41	36 / 45	36 / 41	36 / 45
DRIVING					
Max. speed	Km/h	32 / 34	32 / 34	32 / 34	32 / 34
Maximum gradient	%	60	60	60	60
External turning radius	mm	5900/7350	5900/7350	5700/7200	5700/7200
Traction		4x4	4x4	4x4	4x4
Tyres		405/70-20	405/70-20	405/70-20	405/70-20
HYDRAULIC SYSTEM					
Hydraulic circuit		25 cc gear pump	25 cc gear pump	25 cc gear pump	25 cc gear pump
Working pressure	bar	170	170	170	170
TANK CAPACITY					
Fuel	l	65	65	65	65
Hydraulic system	l	65	65	65	65
BRAKES					
Service		Sealed brakes. Hydraulic drive	Sealed brakes. Hydraulic drive	Sealed brakes. Hydraulic drive	Sealed brakes. Hydraulic drive
Parking		Sealed brakes. Mechanical drive	Sealed brakes. Negative	Sealed brakes. Mechanical drive	Sealed brakes. Negative

* Only available outside of the North American and European Union markets

DIMENSIONS



DIMENSIONS (mm)	D 600 AP	D 600 AP PLUS	D 600 APG	D 600 APG PLUS
A	2295	2295	2140	2140
B	1920	1920	2080	2080
C	2170	2170	2170	2170
E	1635	1635	1680	1680
F	3130	3130	3130	3130
G	430	430	430	430
I	2450	2450	2450	2450
J	1185	1185	1185	1185
K	4525	4525	4640	4640
L	2640	2640	3575	3575
M	650	650	390	390
N	410	410	1180	1180
Q	4580	4580	4695	4695
R	2145	2145	2145	2145
T	2965 (2850*)	2965 (2850*)	2965 (2850*)	2965 (2850*)
U	-	-	50	50

* With closed cab



www.ausa.com

Products are subject to modifications without prior notice. Images throughout the spec sheet may refer to non-standard machines or non-available configurations depending on models.

AUSA's logo and corporate identity are property of the Company, they cannot be used without authorization.